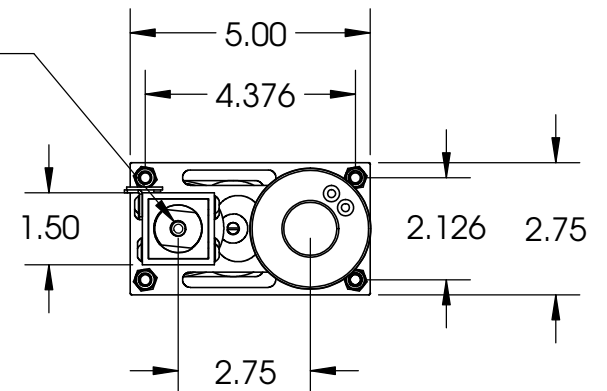


5/16-24
THREADED
HOLE



PROPRIETARY AND CONFIDENTIAL
THE INFORMATION CONTAINED IN THIS DRAWING IS THE SOLE PROPERTY OF <INSERT COMPANY NAME HERE>. ANY REPRODUCTION IN PART OR AS A WHOLE WITHOUT THE WRITTEN PERMISSION OF <INSERT COMPANY NAME HERE> IS PROHIBITED.

		UNLESS OTHERWISE SPECIFIED:		NAME	DATE
		DIMENSIONS ARE IN INCHES	DRAWN	AB	12/2015
		TOLERANCES:	CHECKED		
		FRACTIONAL ± 0.01	ENG APPR.		
		ANGULAR: ± 0.1	MFG APPR.		
		TWO PLACE DECIMAL ± 0.01	Q.A.		
		THREE PLACE DECIMAL ± 0.005	COMMENTS:		
		INTERPRET GEOMETRIC TOLERANCING PER:			
		MATERIAL			
NEXT ASSY	USED ON	FINISH			
APPLICATION		DO NOT SCALE DRAWING			



TITLE:

12" DART

SIZE	DWG. NO.	REV
A	am-3072a	1

SCALE:	WEIGHT:	SHEET 1 OF 1
--------	---------	--------------

5

4

3

2

1