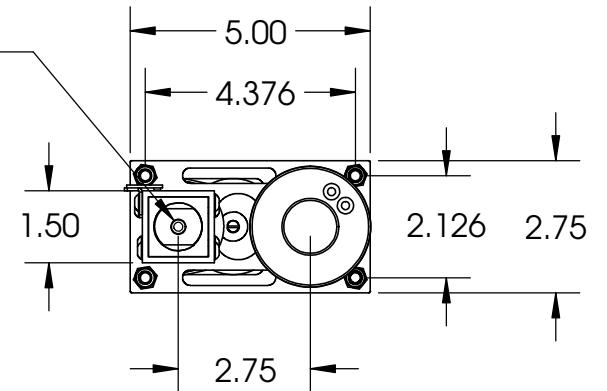


5/16-24  
THREADED  
HOLE



**PROPRIETARY AND CONFIDENTIAL**  
THE INFORMATION CONTAINED IN THIS DRAWING IS THE SOLE PROPERTY OF <INSERT COMPANY NAME HERE>. ANY REPRODUCTION IN PART OR AS A WHOLE WITHOUT THE WRITTEN PERMISSION OF <INSERT COMPANY NAME HERE> IS PROHIBITED.

		UNLESS OTHERWISE SPECIFIED:		NAME	DATE
		DIMENSIONS ARE IN INCHES	DRAWN	AB	12/2015
		TOLERANCES:	CHECKED		
		FRACTIONAL: ± 0.01	ENG APPR.		
		ANGULAR: ± 0.1	MFG APPR.		
		TWO PLACE DECIMAL ± 0.01	Q.A.		
		THREE PLACE DECIMAL ± 0.005	COMMENTS:		
		INTERPRET GEOMETRIC TOLERANCING PER:			
		MATERIAL			
NEXT ASSY	USED ON	FINISH			
APPLICATION		DO NOT SCALE DRAWING			



TITLE:

6" DART

SIZE	DWG. NO.	REV
<b>A</b>	<b>am-3076a</b>	<b>1</b>

SCALE:	WEIGHT:	SHEET 1 OF 1
--------	---------	--------------