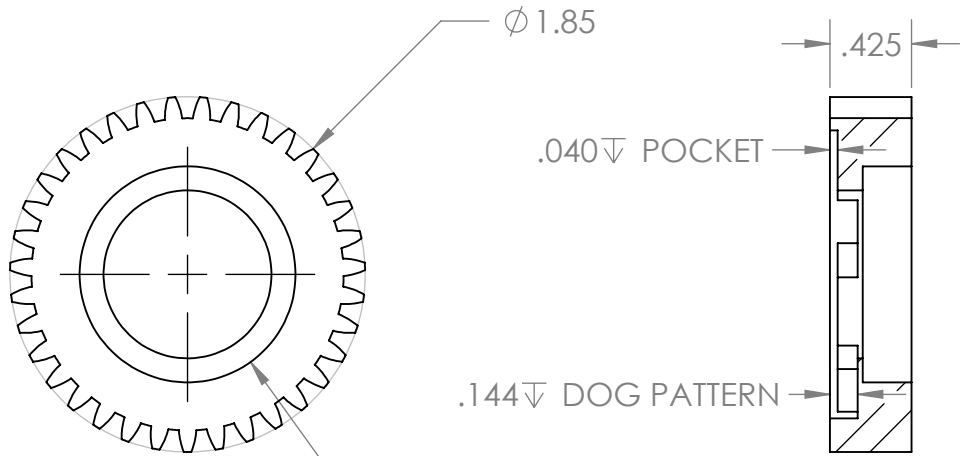
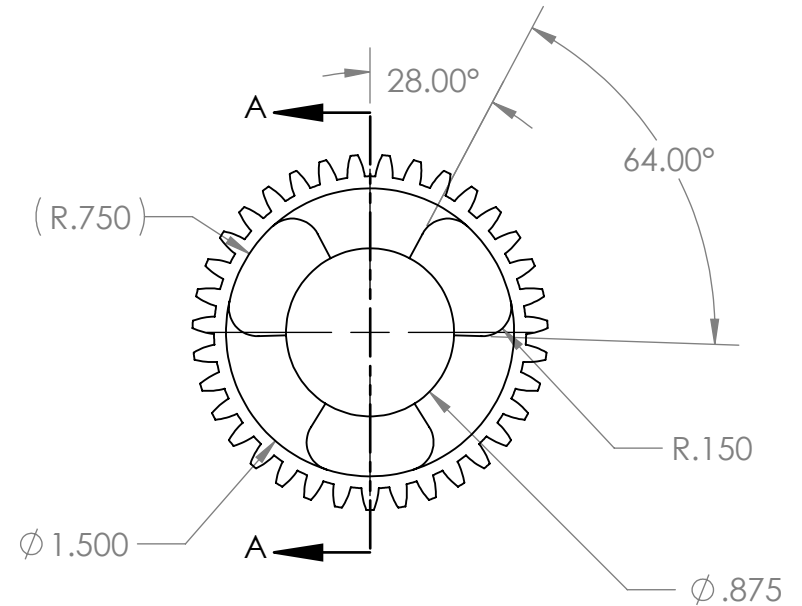


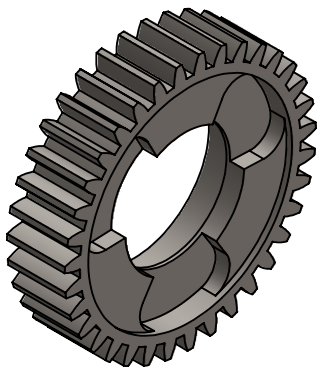
REV	DESCRIPTION OF CHANGES
1	ORIGINAL PRINT




SECTION A-A



$\phi 1.1249$
 $\phi 1.1241 \nabla 0.255$
 FR8ZZ BEARING P.F.



UNLESS OTHERWISE SPECIFIED:		NAME	DATE	
DIMENSIONS ARE IN INCHES TOLERANCES: FRACTIONAL \pm ANGULAR: MACH \pm BEND $\pm 5^\circ$ TWO PLACE DECIMAL ± 0.010 THREE PLACE DECIMAL ± 0.005		DRAWN	NL 11/20/15	
INTERPRET GEOMETRIC TOLERANCING PER: MATERIAL 4140 GEAR STOCK FINISH ZINC PLATED		CHECKED		SIZE A DWG. NO. am-3328 REV 1
DO NOT SCALE DRAWING		ENG APPR.		SCALE: 1:1 WEIGHT: SHEET 1 OF 1
		MFG APPR.		
		Q.A.		
		COMMENTS: DUAL DIMENSIONS ARE IN MILLIMETERS		