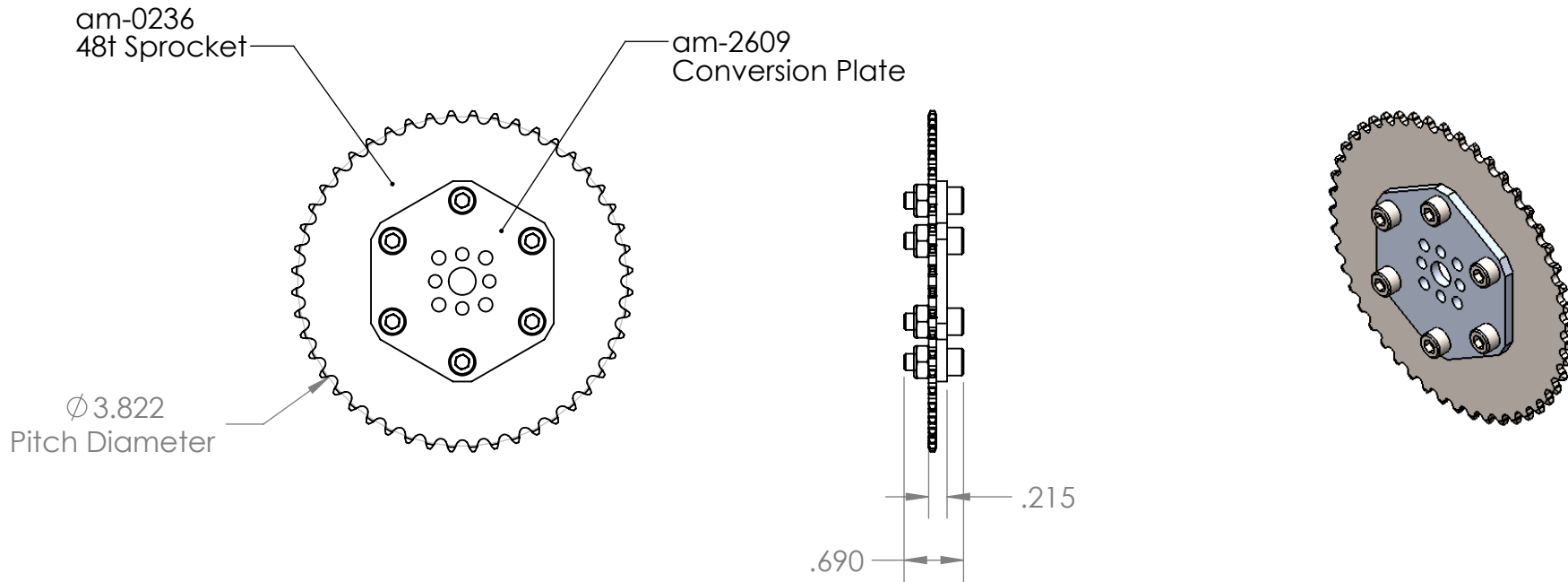



Rev	Discription of Changes
1	Original Print



UNLESS OTHERWISE SPECIFIED:		NAME	DATE	
DIMENSIONS ARE IN INCHES TOLERANCES: FRACTIONAL ± ANGULAR: MACH ± BEND ±5° TWO PLACE DECIMAL ±0.010 THREE PLACE DECIMAL ±0.005		DRAWN	DB	
INTERPRET GEOMETRIC TOLERANCING PER:		CHECKED		TITLE:
MATERIAL Various		ENG APPR.		48 tooth Samurai Sprocket
FINISH DEBURRED		MFG APPR.		SIZE DWG. NO. REV
DO NOT SCALE DRAWING		Q.A.		A am-3463 1
		COMMENTS: Dual dimensions are in millimeters		SCALE: 1:2 WEIGHT: SHEET 1 OF 1