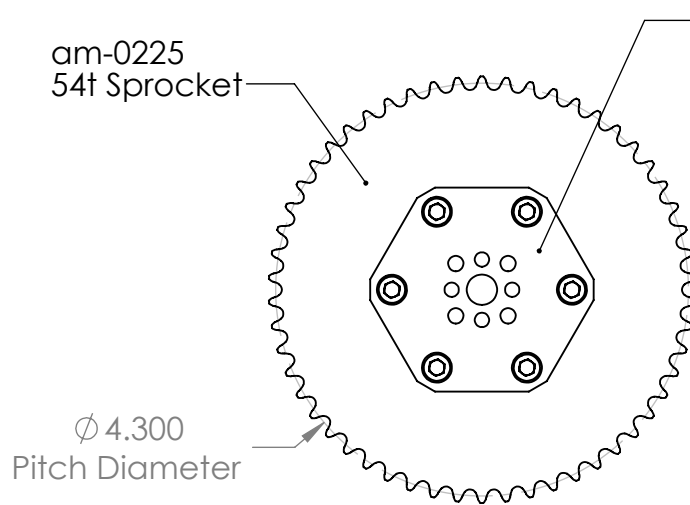
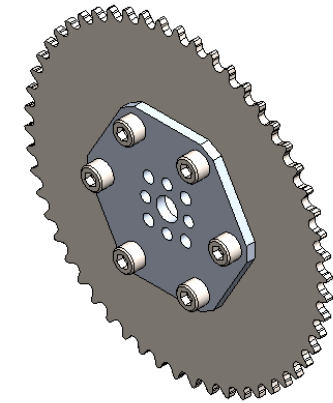
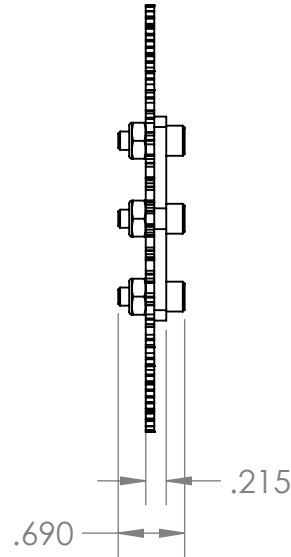



Rev	Discription of Changes
1	Original Print



am-2609
Conversion Plate



UNLESS OTHERWISE SPECIFIED:		NAME	DATE	
DIMENSIONS ARE IN INCHES TOLERANCES: FRACTIONAL ± ANGULAR: MACH ± BEND ±5° TWO PLACE DECIMAL ±0.010 THREE PLACE DECIMAL ±0.005		DRAWN	DB	
INTERPRET GEOMETRIC TOLERANCING PER:		CHECKED		TITLE: 54 tooth Samurai Sprocket
MATERIAL Various		ENG APPR.		
FINISH DEBURRED		MFG APPR.		
DO NOT SCALE DRAWING		Q.A.		SIZE DWG. NO. REV A am-3464 1
		COMMENTS: Dual dimensions are in millimeters		SCALE: 1:2 WEIGHT: SHEET 1 OF 1