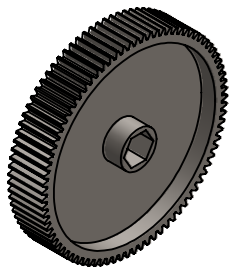
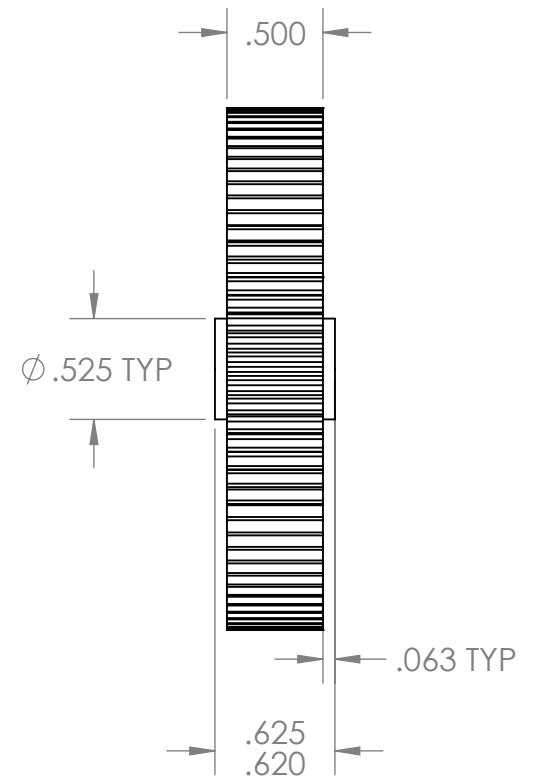
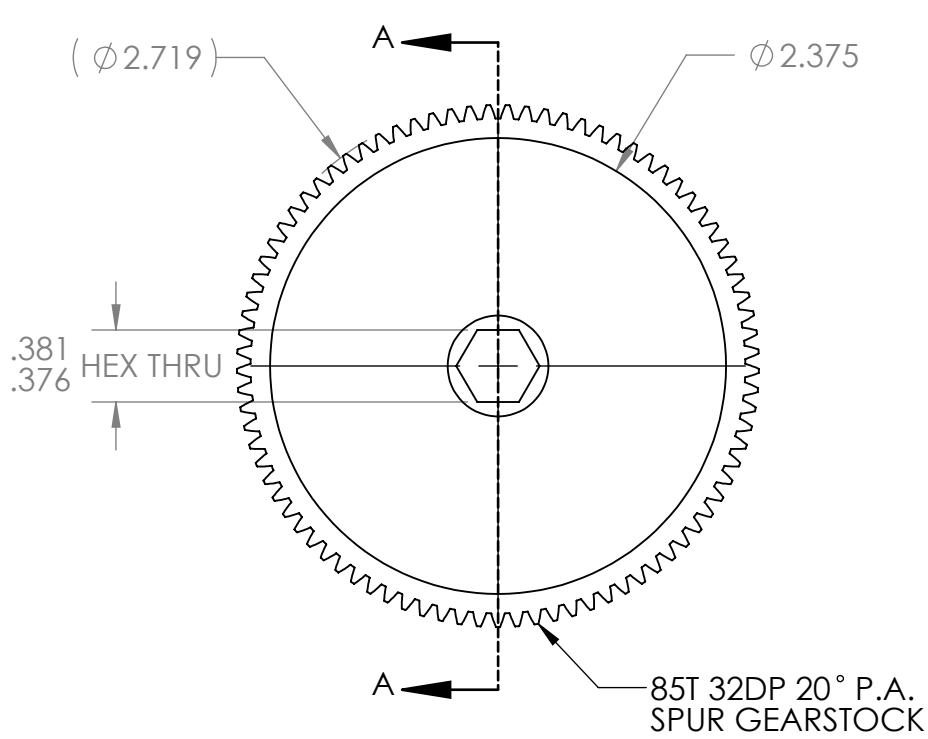



SECTION A-A



UNLESS OTHERWISE SPECIFIED:		NAME	DATE	
DIMENSIONS ARE IN INCHES		DRAWN	NL	
TOLERANCES:		CHECKED		TITLE: 85T 32DP 20° P.A. 0.375 HEX BORE GEAR
FRACTIONAL ± 1/32		ENG APPR.		
ANGULAR: MACH ± 1° BEND ± 5°		MFG APPR.		
ONE PLACE DECIMAL ± 0.1		Q.A.		SIZE DWG. NO. REV A am-3533 1
TWO PLACE DECIMAL ± 0.01		COMMENTS:		
THREE PLACE DECIMAL ± 0.005				SCALE: 1:1 WEIGHT: SHEET 1 OF 1
INTERPRET GEOMETRIC TOLERANCING PER:				
MATERIAL				
1117 STEEL				
FINISH				
ZINC PLATED				
DO NOT SCALE DRAWING				