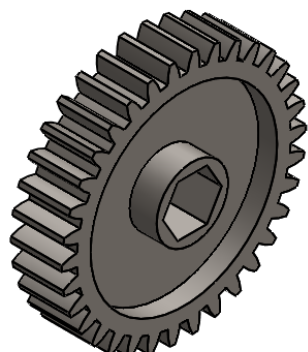
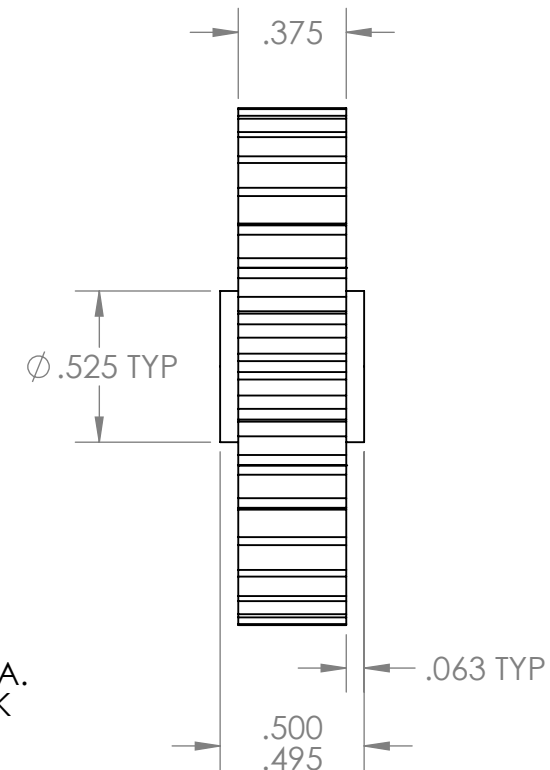
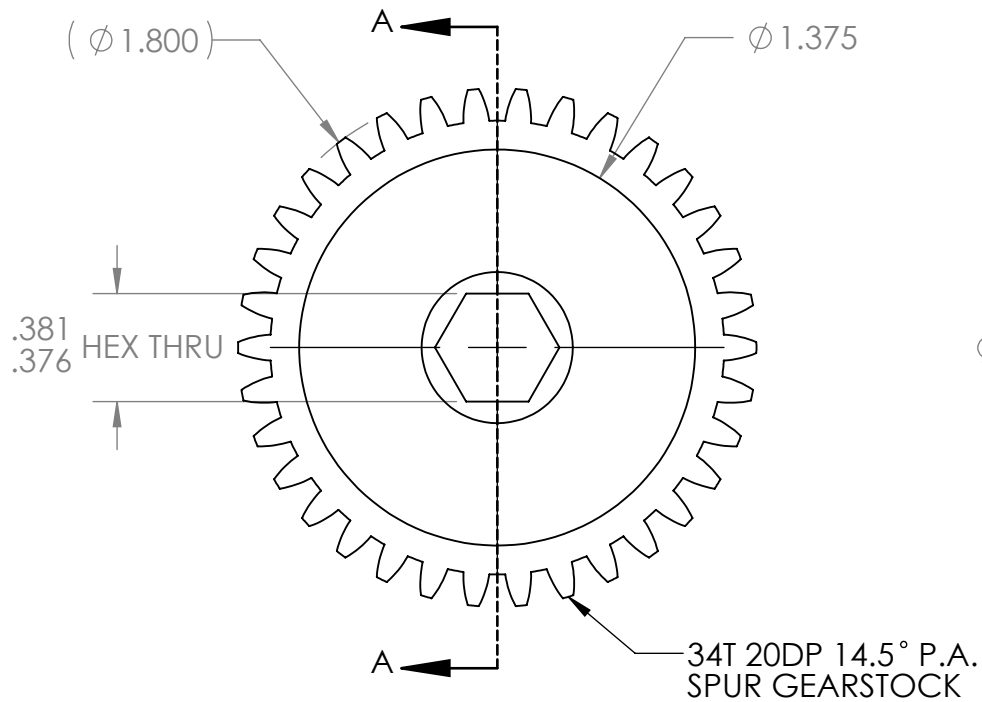


SECTION A-A



UNLESS OTHERWISE SPECIFIED:		NAME	DATE	
DIMENSIONS ARE IN INCHES		DRAWN	NL	
TOLERANCES:		CHECKED		TITLE:
FRACTIONAL ±1/32		ENG APPR.		34T 20DP 14.5° P.A.
ANGULAR: MACH ±1° BEND ±5°		MFG APPR.		0.375 HEX BORE GEAR
ONE PLACE DECIMAL ±0.1		Q.A.		SIZE DWG. NO. REV
TWO PLACE DECIMAL ±0.01		COMMENTS:		A am-3537 1
THREE PLACE DECIMAL ±0.005				SCALE: 1.5:1 WEIGHT: SHEET 1 OF 1
INTERPRET GEOMETRIC TOLERANCING PER:				
MATERIAL				
4140 STEEL				
FINISH				
ZINC PLATED				
DO NOT SCALE DRAWING				