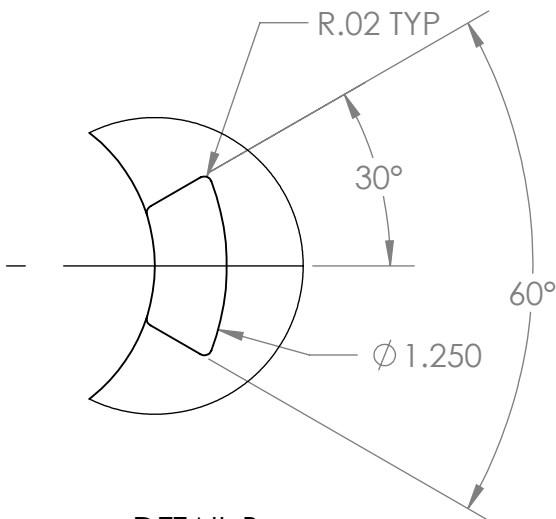


SECTION A-A



DETAIL B  
SCALE 2 : 1

UNLESS OTHERWISE SPECIFIED:

DIMENSIONS ARE IN INCHES  
TOLERANCES:  
FRACTIONAL  $\pm 1/32$   
ANGULAR: MACH  $\pm 1^\circ$  BEND  $\pm 5^\circ$   
ONE PLACE DECIMAL  $\pm 0.1$   
TWO PLACE DECIMAL  $\pm 0.01$   
THREE PLACE DECIMAL  $\pm 0.005$

INTERPRET GEOMETRIC  
TOLERANCING PER:

MATERIAL  
4140 STEEL

FINISH  
ZINC PLATED

DO NOT SCALE DRAWING

	NAME	DATE
DRAWN	NL	11/29/16
CHECKED		
ENG APPR.		
MFG APPR.		
Q.A.		

COMMENTS:



TITLE:  
**46T 20DP 14.5° P.A.  
4 TOOTH DOG GEAR**

SIZE	DWG. NO.	REV
<b>A</b>	<b>am-3540</b>	<b>1</b>

SCALE: 1:1 WEIGHT: SHEET 1 OF 1