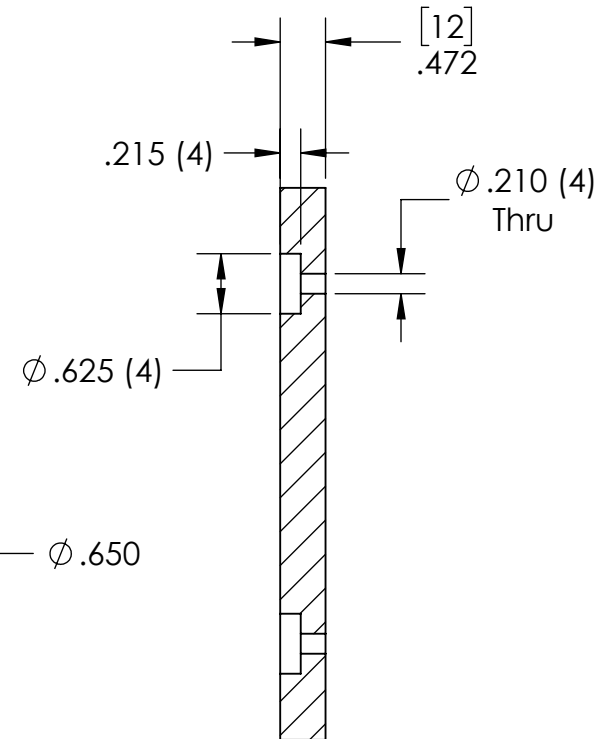
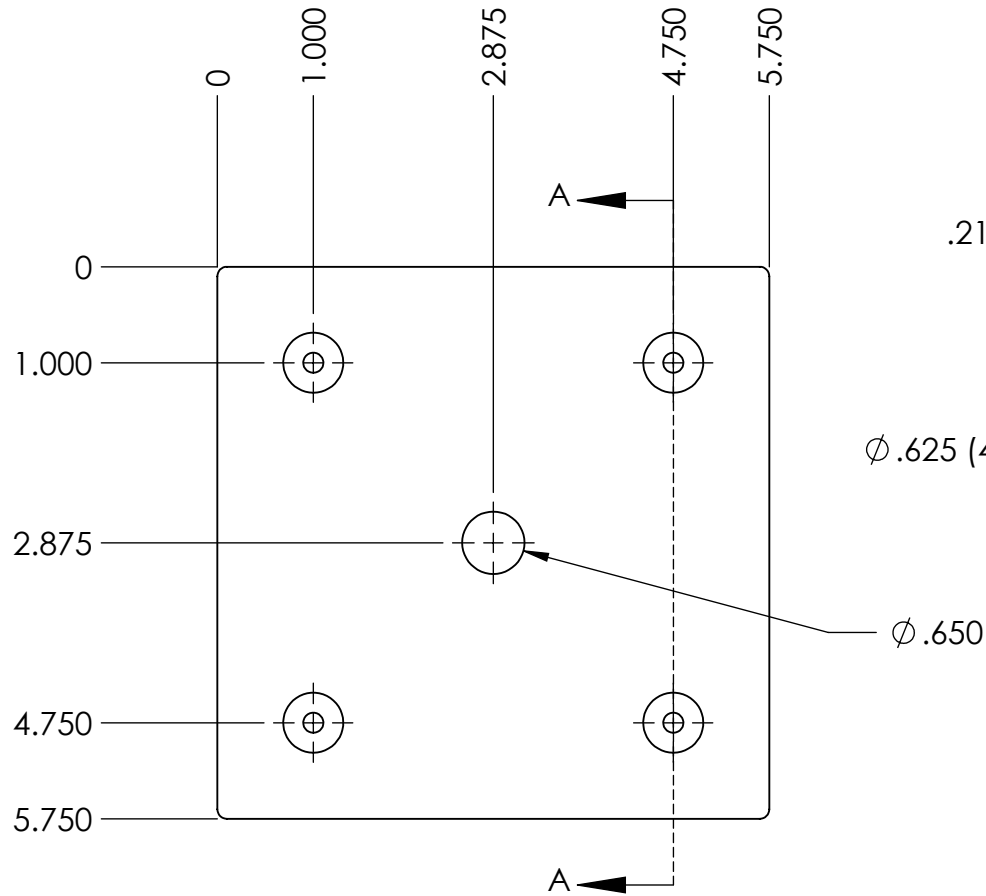



Rev	Discription of Changes
1	Original Print



SECTION A-A

UNLESS OTHERWISE SPECIFIED:		NAME	DATE	
DIMENSIONS ARE IN INCHES TOLERANCES: FRACTIONAL \pm ANGULAR: MACH \pm BEND $\pm 5^\circ$ TWO PLACE DECIMAL ± 0.010 THREE PLACE DECIMAL ± 0.005		DRAWN	DB	
INTERPRET GEOMETRIC TOLERANCING PER:		CHECKED		TITLE: LR18 Balancing Stone Pylon Lower
MATERIAL Black PVC Foam		ENG APPR.		
FINISH DEBURRED		MFG APPR.		
DO NOT SCALE DRAWING		Q.A.		SIZE DWG. NO. REV A am-3590 1
		COMMENTS: Dual dimensions are in millimeters		SCALE: 1:2 WEIGHT: SHEET 1 OF 1