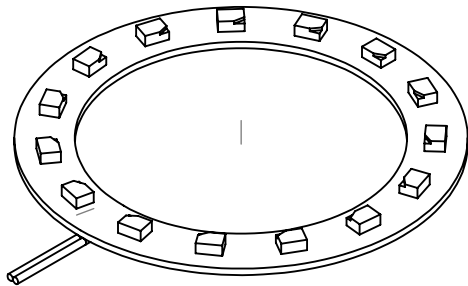
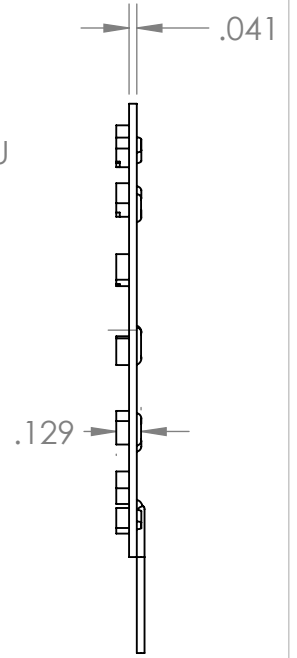
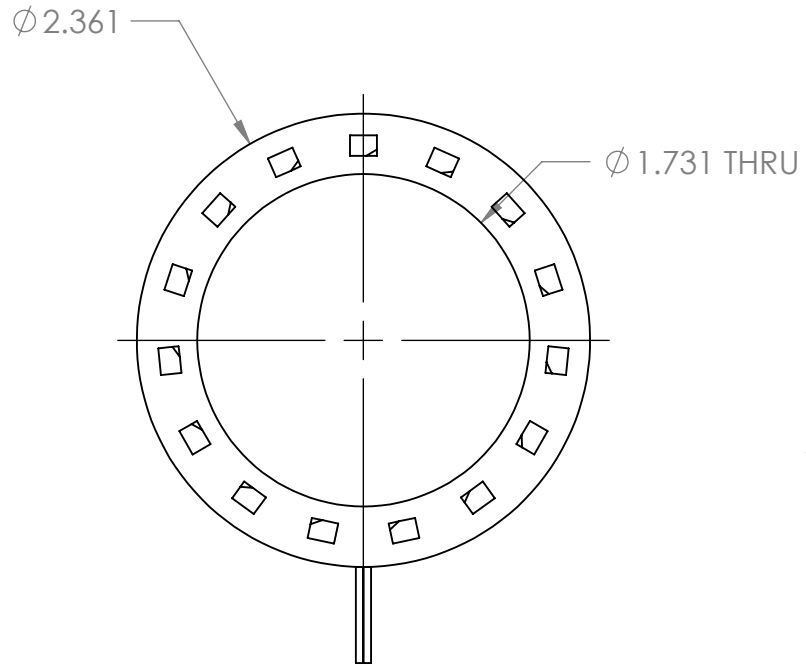
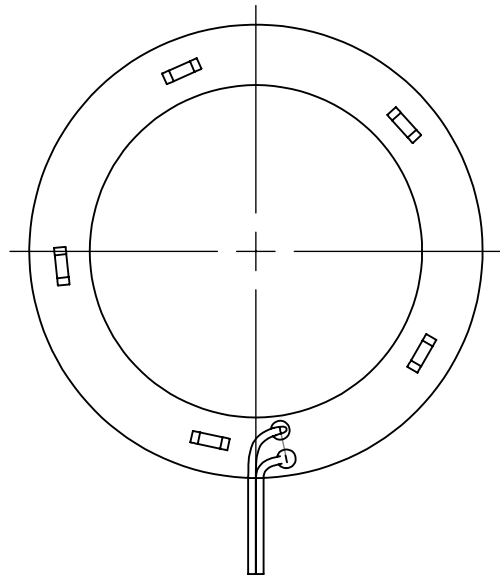



PART NUMBER	COLOR
am-3596	WHITE
am-3597	GREEN

REVISION HISTORY			
REV.	DESCRIPTION	DATE	DRAWN BY
1	ORIGINAL PRINT	6/1/2017	K. STAHLER
2	DRAWN TO MEET AMDS-1	8/8/2018	A. SHORES



\*\*\* SEE CAD FOR ADDITIONAL TOOLPATH INFO\*\*\*

UNLESS OTHERWISE SPECIFIED:		COMMENTS:				
<b>DIMENSIONS ARE IN INCHES</b>		DUAL DIMENSIONS ARE IN MILLIMETERS.				TITLE:
TOLERANCES: FRACTIONAL $\pm 1/16$ ANGULAR: MACH $\pm 1^\circ$ ANGULAR: BEND $\pm 5^\circ$ ONE PLACE DECIMAL $\pm 0.1$ TWO PLACE DECIMAL $\pm 0.01$ THREE PLACE DECIMAL $\pm 0.005$ FOUR PLACE DECIMAL $\pm 0.0005$		BREAK ALL SHARP EDGES		LED RING		
MATERIAL		NAME	DATE	SIZE	DWG. NO.	REV
FINISH		CHECKED		<b>A</b>	am-3596	<b>2</b>
DO NOT SCALE DRAWING		ENG APPR.		SCALE: 1:1	am-3597	WEIGHT:
		MFG APPR.				SHEET 1 OF 1
		Q.A.				