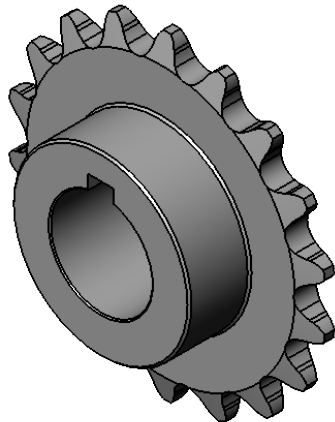
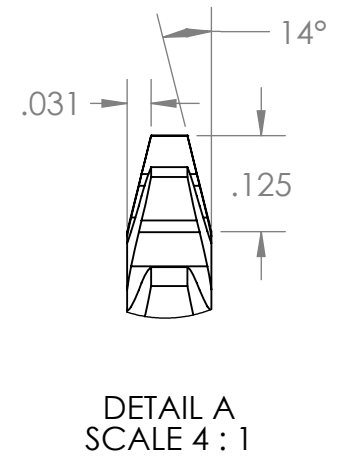
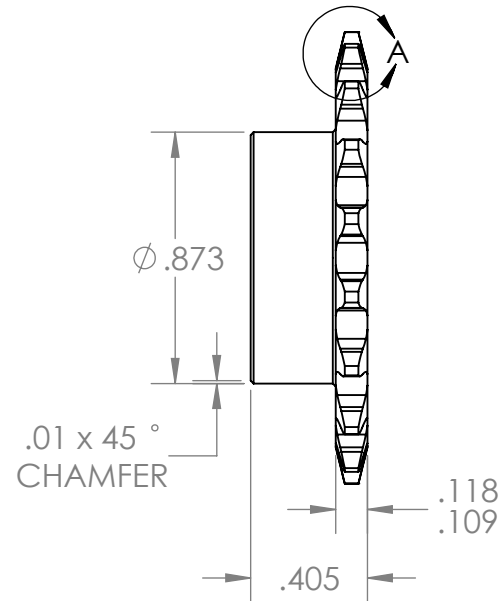
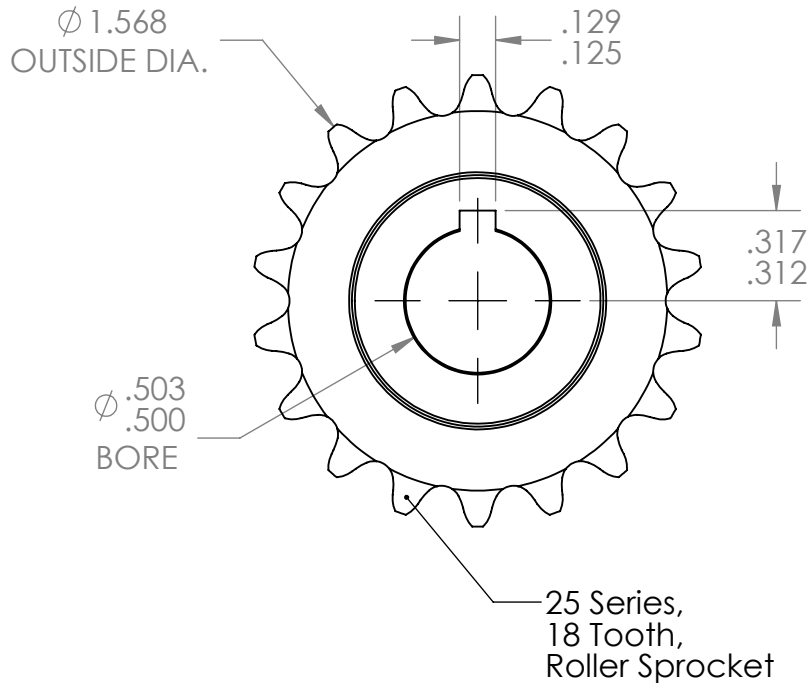


REVISIONS			
REV.	DESCRIPTION	DATE	DRAWN
1	ORIGINAL PRINT	6/14/2017	M. HANSEN



UNLESS OTHERWISE SPECIFIED:		NAME	DATE	TITLE: <b>S25-18HA-500K Sprocket</b>
DIMENSIONS ARE IN INCHES		DRAWN	MH	
TOLERANCES:		CHECKED		
FRACTIONAL $\pm 1/32$		ENG APPR.		
ANGULAR: MACH $\pm 1^\circ$ BEND $\pm 5^\circ$		MFG APPR.		
ONE PLACE DECIMAL $\pm 0.1$		Q.A.		
TWO PLACE DECIMAL $\pm 0.01$		COMMENTS:	DUAL DIMENSIONS ARE IN MILLIMETERS. SIZE DWG. NO. REV <b>A</b> am-3618	
THREE PLACE DECIMAL $\pm 0.005$				
INTERPRET GEOMETRIC TOLERANCING PER:				
MATERIAL				
7075-T6 ALUMINUM				
FINISH				
TUMBLER				
DO NOT SCALE DRAWING		SCALE: 3:2		WEIGHT:
				SHEET 1 OF 1