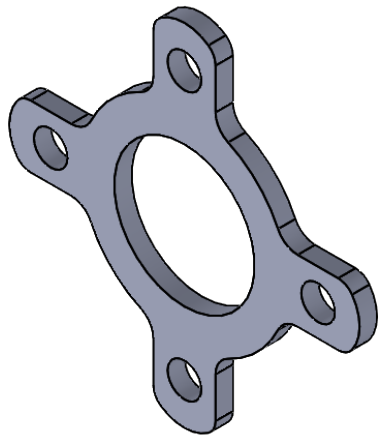
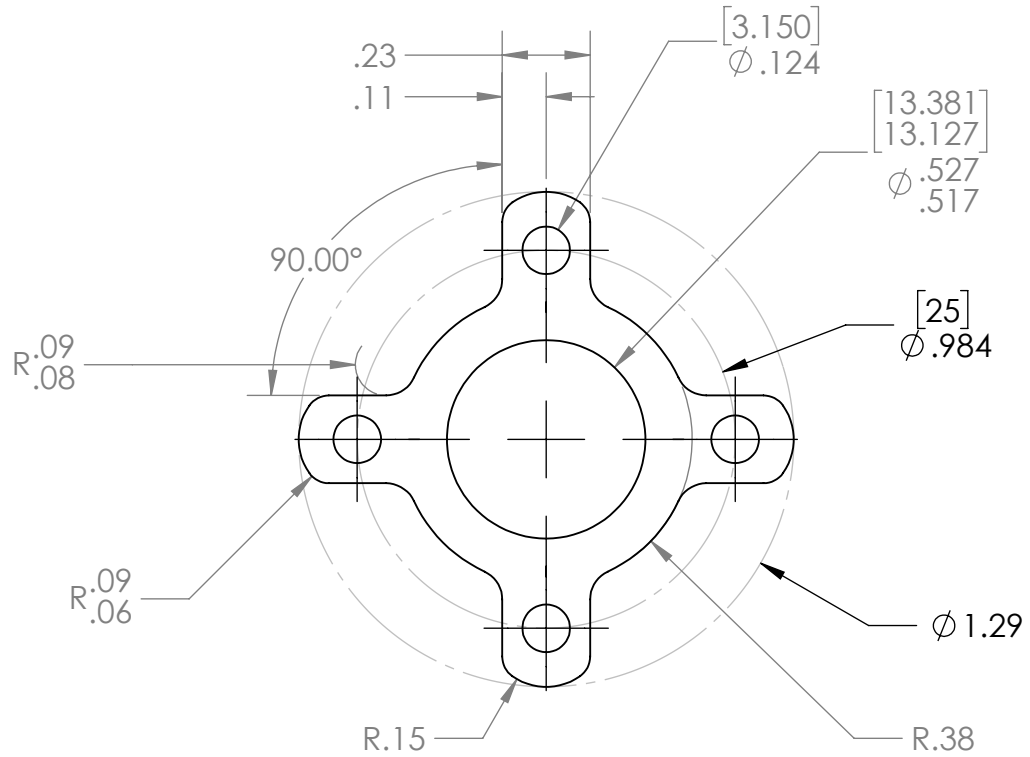
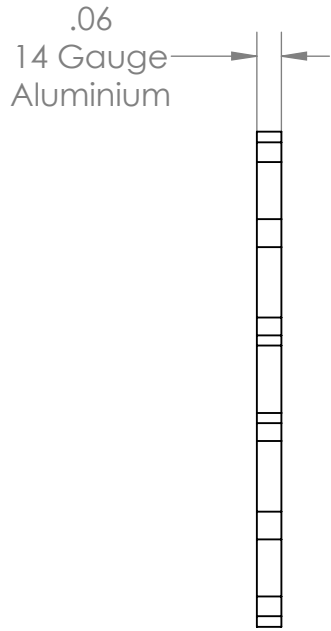


Rev	Description of Changes
1	Original Print



UNLESS OTHERWISE SPECIFIED:		NAME	DATE		
DIMENSIONS ARE IN INCHES		DRAWN	JA		7/5/17
TOLERANCES:		CHECKED		TITLE:	
FRACTIONAL ±		ENG APPR.		<h1>550 Motor Vent Plate</h1>	
ANGULAR: MACH ± BEND ±5°		MFG APPR.			
TWO PLACE DECIMAL ±0.010		Q.A.		SIZE DWG. NO. REV	
THREE PLACE DECIMAL ±0.005		COMMENTS:		A am-3649 1	
INTERPRET GEOMETRIC TOLERANCING PER:		Dual dimensions are in millimeters		SCALE: 2:1 WEIGHT: SHEET 1 OF 1	
MATERIAL					
6061 Aluminum					
FINISH					
Tumbled					
DO NOT SCALE DRAWING					