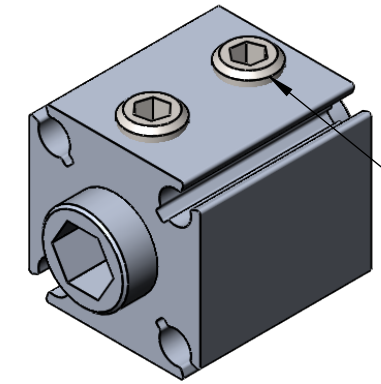
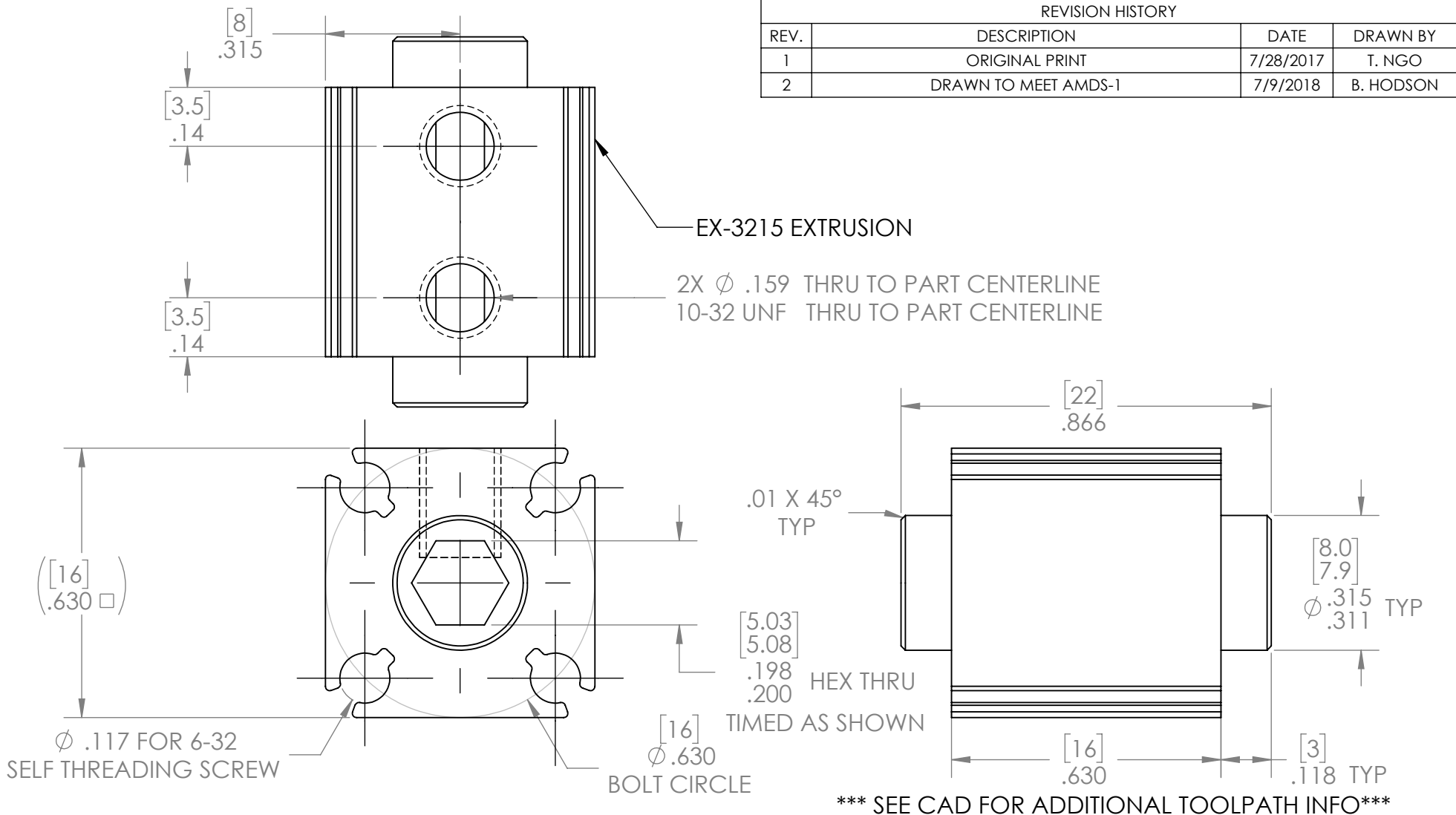


REVISION HISTORY			
REV.	DESCRIPTION	DATE	DRAWN BY
1	ORIGINAL PRINT	7/28/2017	T. NGO
2	DRAWN TO MEET AMDS-1	7/9/2018	B. HODSON



10-32 x 0.25 SET SCREW CUP POINT

UNLESS OTHERWISE SPECIFIED:		COMMENTS:	
DIMENSIONS ARE IN INCHES		DUAL DIMENSIONS ARE IN MILLIMETERS.	
TOLERANCES:		BREAK ALL SHARP EDGES	
FRACTIONAL	±1/16		
ANGULAR: MACH	±1°		
ANGULAR: BEND	±5°		
ONE PLACE DECIMAL	±0.1		
TWO PLACE DECIMAL	±0.01		
THREE PLACE DECIMAL	±0.005		
FOUR PLACE DECIMAL	±0.0005		
MATERIAL	6105-T5 ALUMINUM	NAME	DATE
FINISH	TUMBLER	CHECKED	NL 7/23/18
DO NOT SCALE DRAWING		ENG APPR.	
		MFG APPR.	
		Q.A.	



TITLE:
**5MM HEX
XL DOUBLE BOSS NUB**

SIZE	DWG. NO.	REV
A	am-3671	2
SCALE: 3:1	WEIGHT:	SHEET 1 OF 1