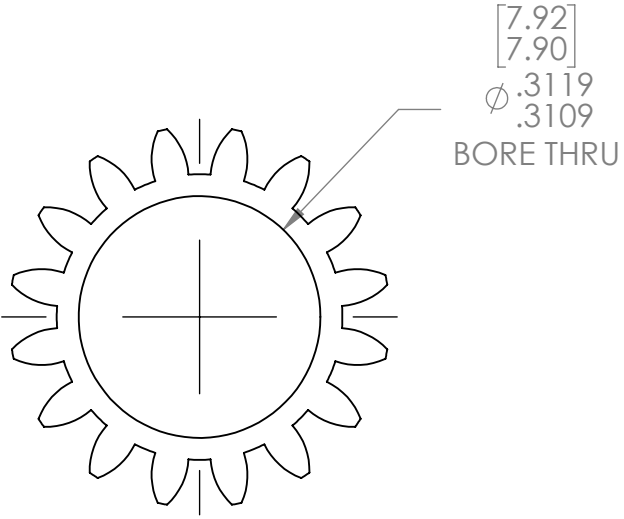
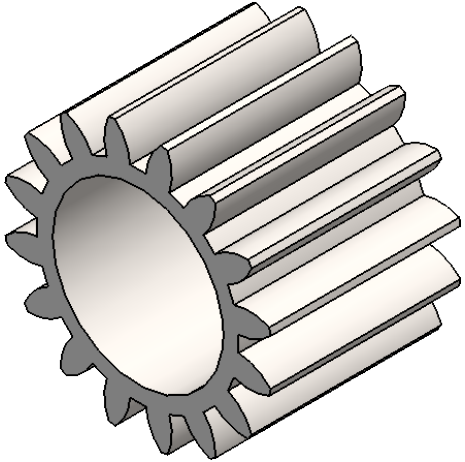
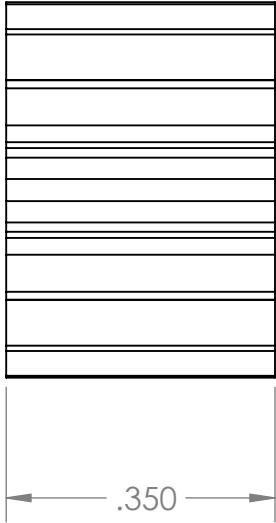



REVISION HISTORY			
REV.	DESCRIPTION	DATE	DRAWN BY
1	ORIGINAL PRINT	11/16/2017	K. NEPOMUCENO



MODULE: 0.7
PRESSURE ANGLE: 14.5°



*** SEE CAD FOR ADDITIONAL TOOLPATH INFO***

UNLESS OTHERWISE SPECIFIED:		COMMENTS:				
DIMENSIONS ARE IN INCHES		DUAL DIMENSIONS ARE IN MILLIMETERS.				
TOLERANCES: FRACTIONAL ±1/16 ANGULAR: MACH ±1° ANGULAR: BEND ±5° ONE PLACE DECIMAL ±0.1 TWO PLACE DECIMAL ±0.01 THREE PLACE DECIMAL ±0.005 FOUR PLACE DECIMAL ±0.0005		BREAK ALL SHARP EDGES.		SIZE DWG. NO. REV		
MATERIAL STEEL		CHECKED	NAME	DATE	A am-3785 1	
FINISH		ENG APPR.			SCALE: 4:1 SHEET 1 OF 1	
DO NOT SCALE DRAWING		MFG APPR.				
		Q.A.				