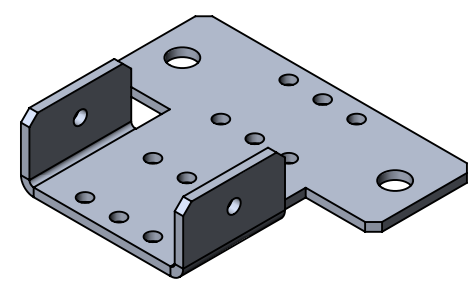
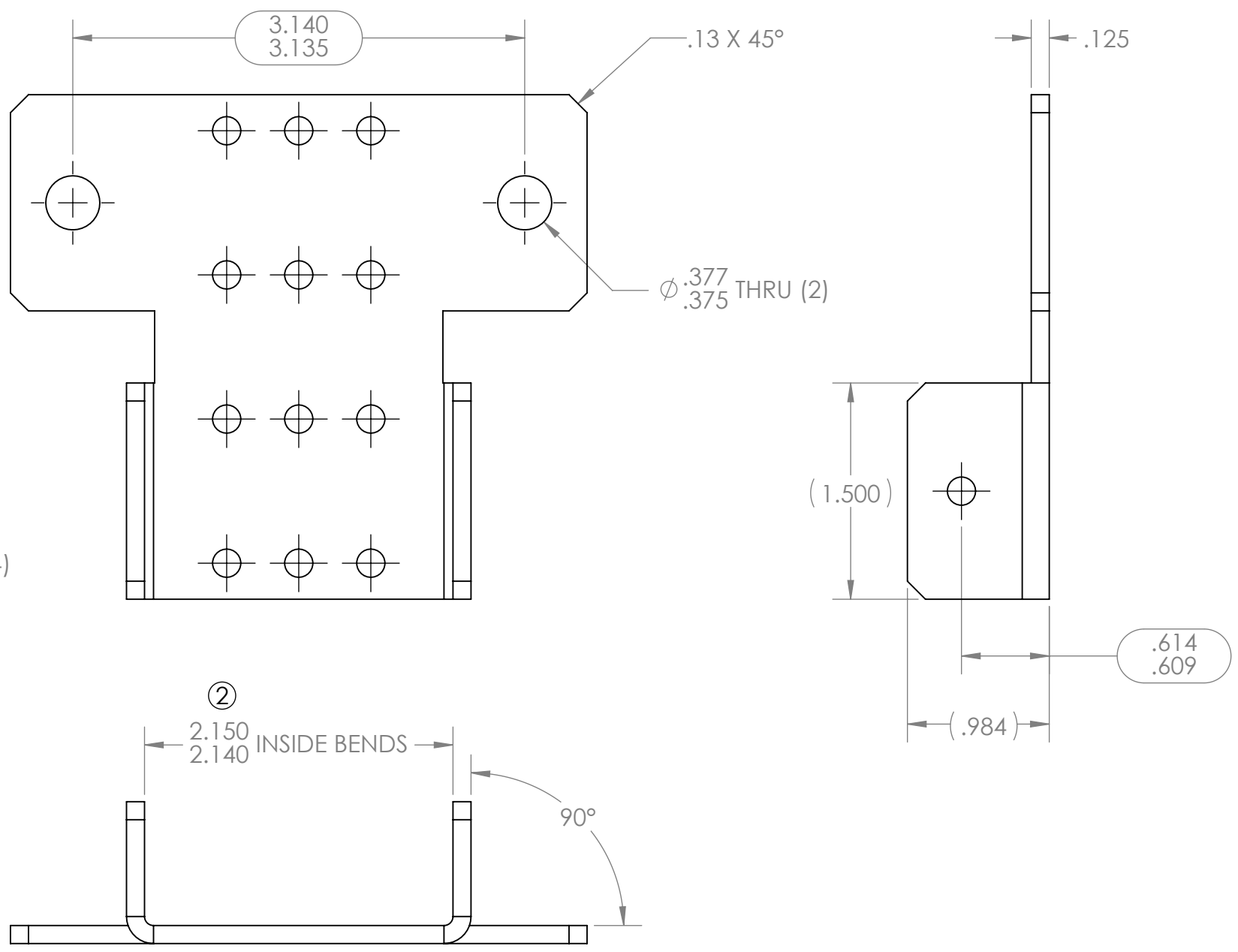
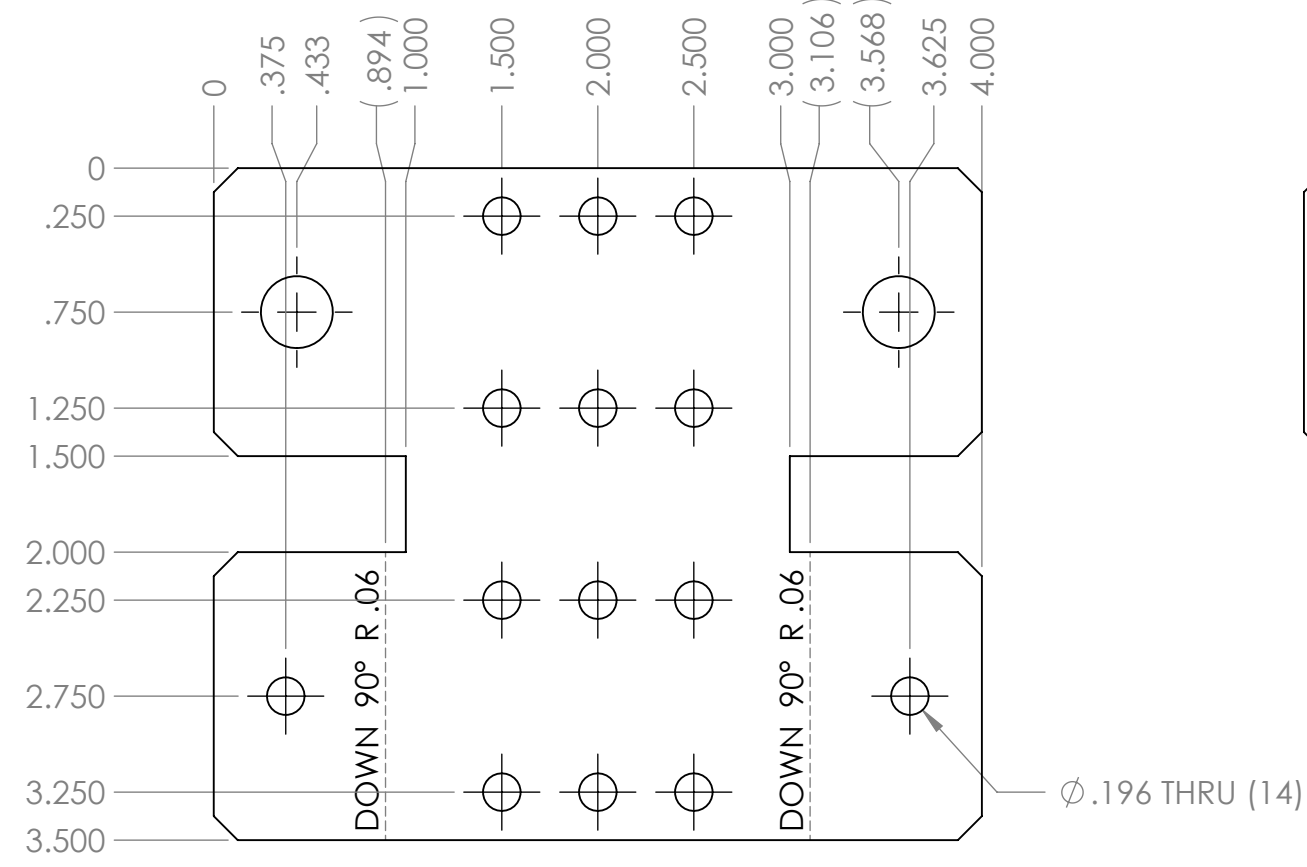


REVISION HISTORY			
REV.	DESCRIPTION	DATE	DRAWN BY
1	ORIGINAL PRINT	10/31/2017	N. LAWRENCE
2	UPDATED TOLLERANCE	11/22/2017	N.MASSOUDA



*** SEE CAD FOR ADDITIONAL TOOLPATH INFO***

UNLESS OTHERWISE SPECIFIED:		COMMENTS:			
DIMENSIONS ARE IN INCHES		DUAL DIMENSIONS ARE IN MILLIMETERS.			
TOLERANCES:		BREAK ALL SHARP EDGES.		TITLE:	
FRACTIONAL	±1/16			2x1 ELEVATOR	
ANGULAR: MACH	±1°			LARGE BEARING PLATE	
ANGULAR: BEND	±5°			SIZE	DWG. NO.
ONE PLACE DECIMAL	±0.1			A	am-3794
TWO PLACE DECIMAL	±0.01			SCALE: 1:1	SHEET 1 OF 1
THREE PLACE DECIMAL	±0.005				
FOUR PLACE DECIMAL	±0.0005				
MATERIAL	5052 AL	CHECKED	NAME	DATE	REV
FINISH	DEBURRED	ENG APPR.			2
DO NOT SCALE DRAWING		MFG APPR.			
		Q.A.			