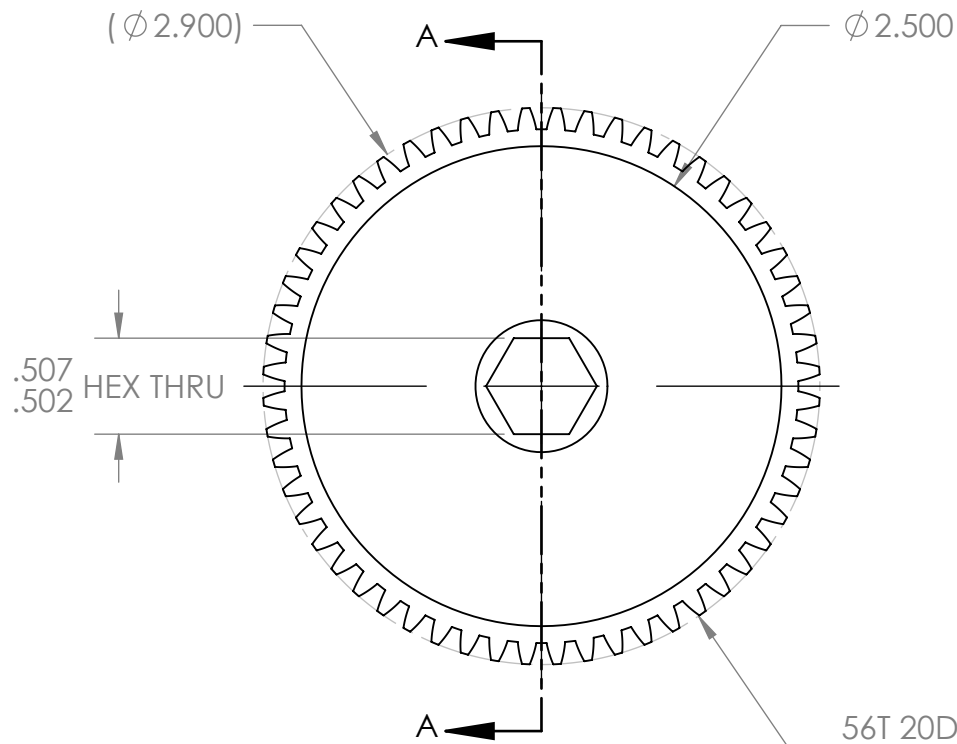
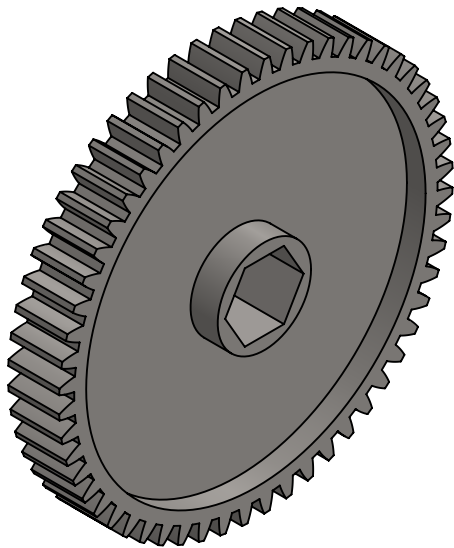
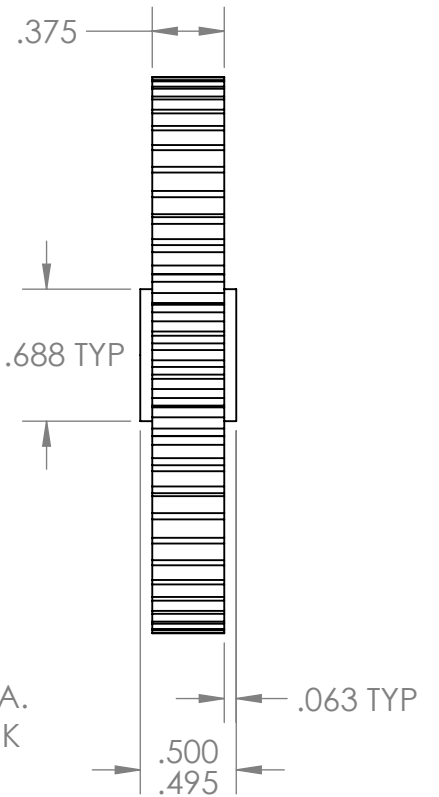


SECTION A-A



56T 20DP 14.5° P.A.  
SPUR GEARSTOCK



UNLESS OTHERWISE SPECIFIED:		NAME	DATE
DIMENSIONS ARE IN INCHES	DRAWN	KS	6/19/17
TOLERANCES:	CHECKED		
FRACTIONAL ±1/32	ENG APPR.		
ANGULAR: MACH ±1° BEND ±5°	MFG APPR.		
ONE PLACE DECIMAL ±0.1	Q.A.		
TWO PLACE DECIMAL ±0.01	COMMENTS:	DUAL DIMENSIONS ARE IN MILLIMETERS.	
THREE PLACE DECIMAL ±0.005			
INTERPRET GEOMETRIC TOLERANCING PER:			
MATERIAL	TITLE:		
4140 STEEL	56T 20DP 14.5PA		
FINISH	0.500" HEX BORE GEAR		
ZINC PLATED	SIZE	DWG. NO.	REV
DO NOT SCALE DRAWING	<b>A</b>	am-3822	1
	SCALE: 1:1	WEIGHT:	SHEET 1 OF 1

