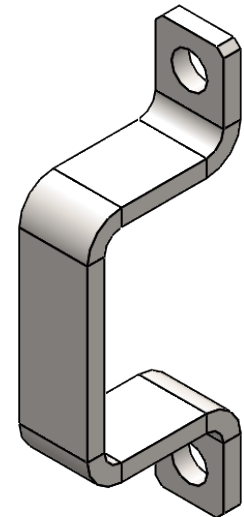
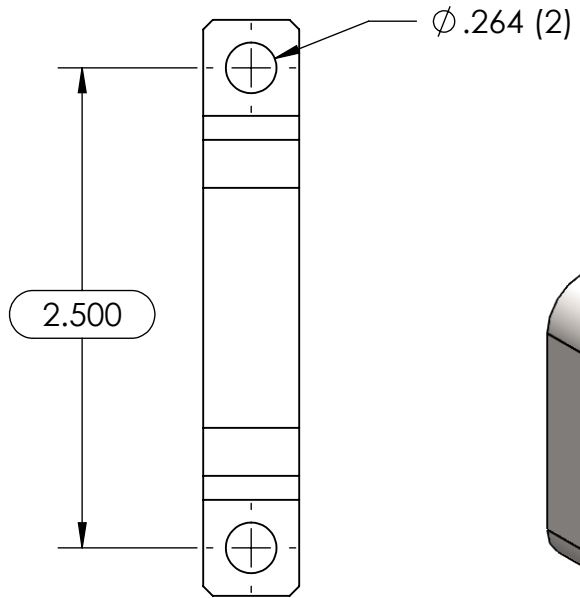
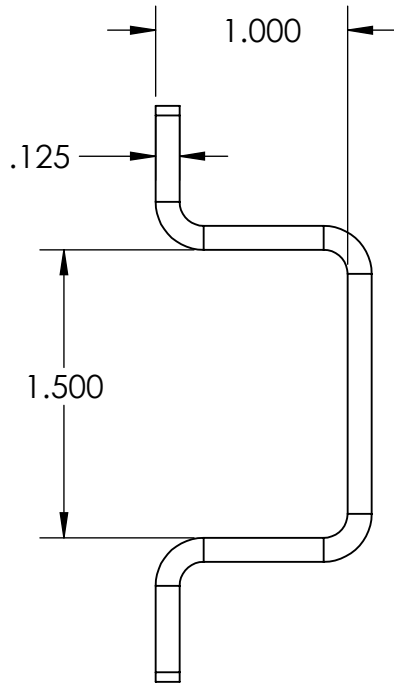
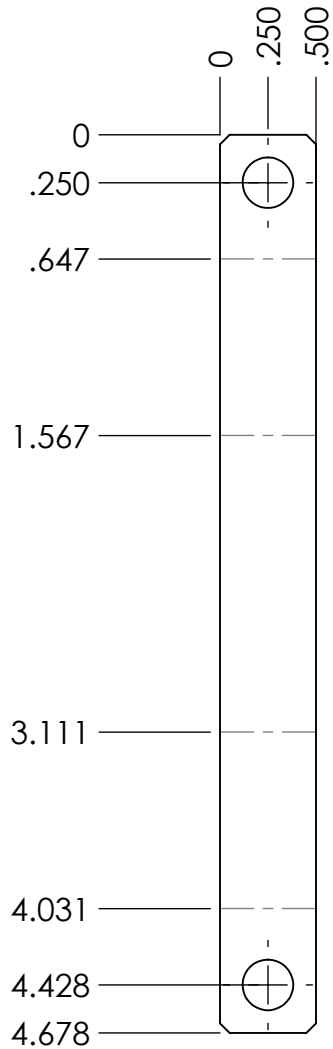



REVISION HISTORY			
REV.	DESCRIPTION	DATE	DRAWN BY
1	ORIGINAL PRINT	5/10/2018	Danny B



*** SEE CAD FOR ADDITIONAL TOOLPATH INFO***

UNLESS OTHERWISE SPECIFIED:		COMMENTS:					
DIMENSIONS ARE IN INCHES		DUAL DIMENSIONS ARE IN MILLIMETERS.					
TOLERANCES: FRACTIONAL ±1/16 ANGULAR: MACH ±1° ANGULAR: BEND ±5° ONE PLACE DECIMAL ±0.1 TWO PLACE DECIMAL ±0.01 THREE PLACE DECIMAL ±0.005 FOUR PLACE DECIMAL ±0.0005		BREAK ALL SHARP EDGES.		TITLE: LR19 Lander Climbing Handle			
MATERIAL Steel		CHECKED	NAME	DATE	SIZE A	DWG. NO. am-3886	REV 1
FINISH Zinc Plated		ENG APPR.			SCALE: 1:1 SHEET 1 OF 1		
DO NOT SCALE DRAWING		MFG APPR.					
		Q.A.					