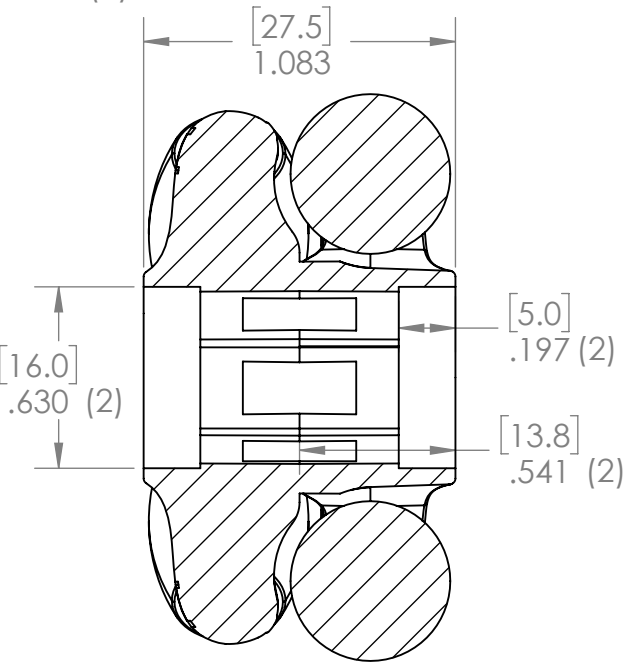
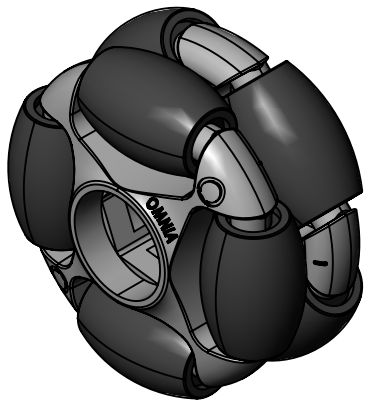
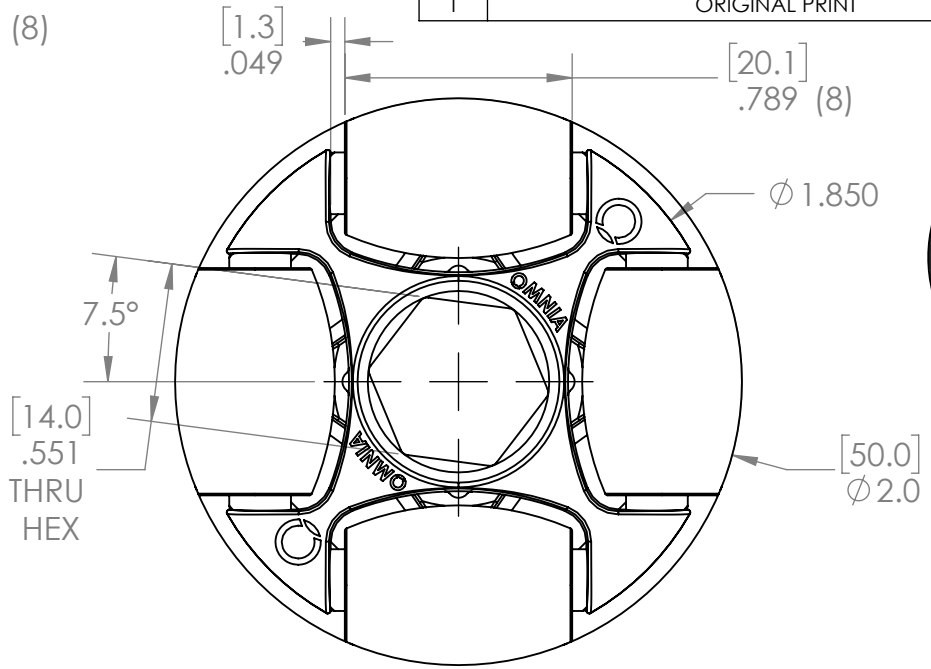
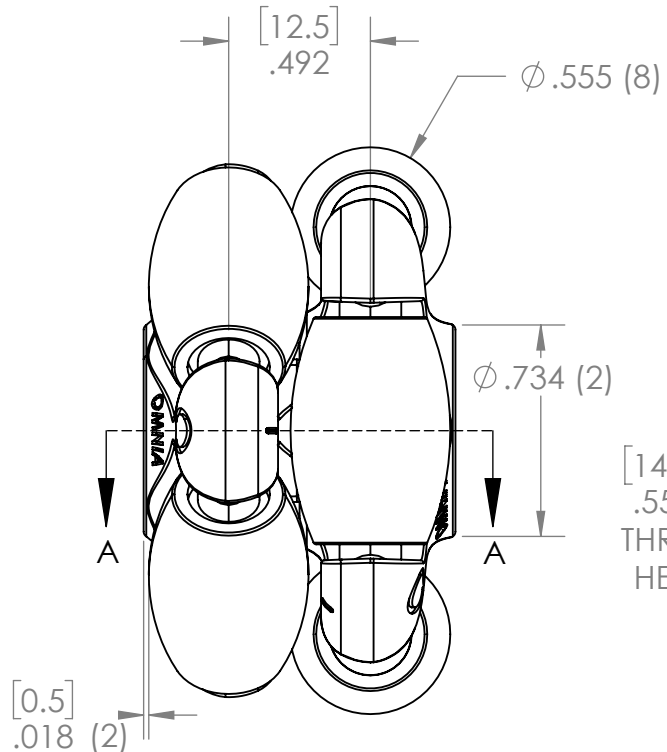


REVISION HISTORY			
REV.	DESCRIPTION	DATE	DRAWN BY
1	ORIGINAL PRINT	9/10/2018	N.MASSOUDA



SECTION A-A

DUROMETER VARIATIONS

TREAD COLOR	TREAD DUROMETER	TREAD MATERIAL	BODY MATERIAL	PART NUMBER
GREEN	35A	THERMOPLASTIC ELASTOMER	GLASS FILLED NYLON	am-3902
DARK GRAY	90A	POLYURETHANE	GLASS FILLED NYLON	am-3903

UNLESS OTHERWISE SPECIFIED: COMMENTS:
DIMENSIONS ARE IN INCHES DUAL DIMENSIONS ARE IN MILLIMETERS.
 TOLERANCES: FRACTIONAL ±1/16, ANGULAR: MACH ±1°, ANGULAR: BEND ±5°, ONE PLACE DECIMAL ±0.1, TWO PLACE DECIMAL ±0.01, THREE PLACE DECIMAL ±0.005, FOUR PLACE DECIMAL ±0.0005.
 MATERIAL: SEE TABLE
 FINISH: DEBURRED
 DO NOT SCALE DRAWING

AndyMark
 TITLE: 2IN OMNI 14MM HEX
 SIZE: **A** DWG. NO.: NAME: DATE: REV: **1**
 SCALE: 1.5:1 WEIGHT: SHEET 1 OF 1