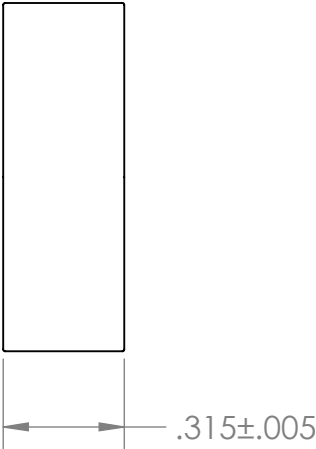
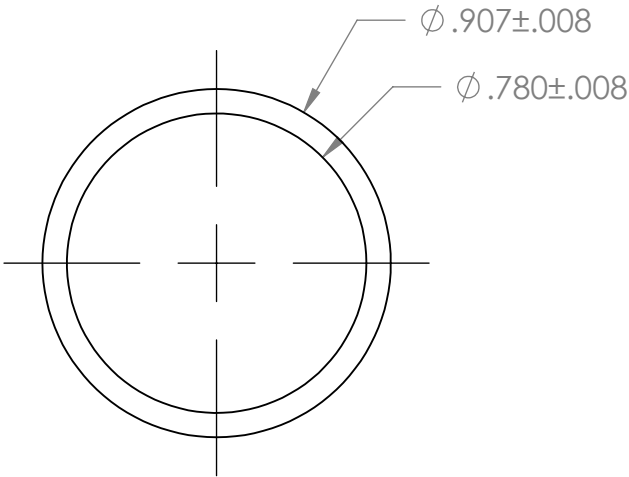



REVISION HISTORY			
REV.	DESCRIPTION	DATE	DRAWN BY
1	ORIGINAL PRINT	11/30/2017	K. NEPOMUCENO



*** SEE CAD FOR ADDITIONAL TOOLPATH INFO***

UNLESS OTHERWISE SPECIFIED:		COMMENTS:					
DIMENSIONS ARE IN INCHES		DUAL DIMENSIONS ARE IN MILLIMETERS.					TITLE:
TOLERANCES: FRACTIONAL $\pm 1/16$ ANGULAR: MACH $\pm 1^\circ$ ANGULAR: BEND $\pm 5^\circ$ ONE PLACE DECIMAL ± 0.1 TWO PLACE DECIMAL ± 0.01 THREE PLACE DECIMAL ± 0.005 FOUR PLACE DECIMAL ± 0.0005		BREAK ALL SHARP EDGES.		1.1 LJ BevelBox Output Shaft Spacer			
MATERIAL NYLON		CHECKED	NAME	DATE	SIZE A	DWG. NO. am-1445	REV 1
FINISH		ENG APPR.			SCALE: 2:1		
DO NOT SCALE DRAWING		MFG APPR.			SHEET 1 OF 1		
		Q.A.					