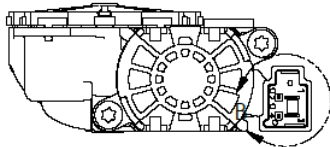
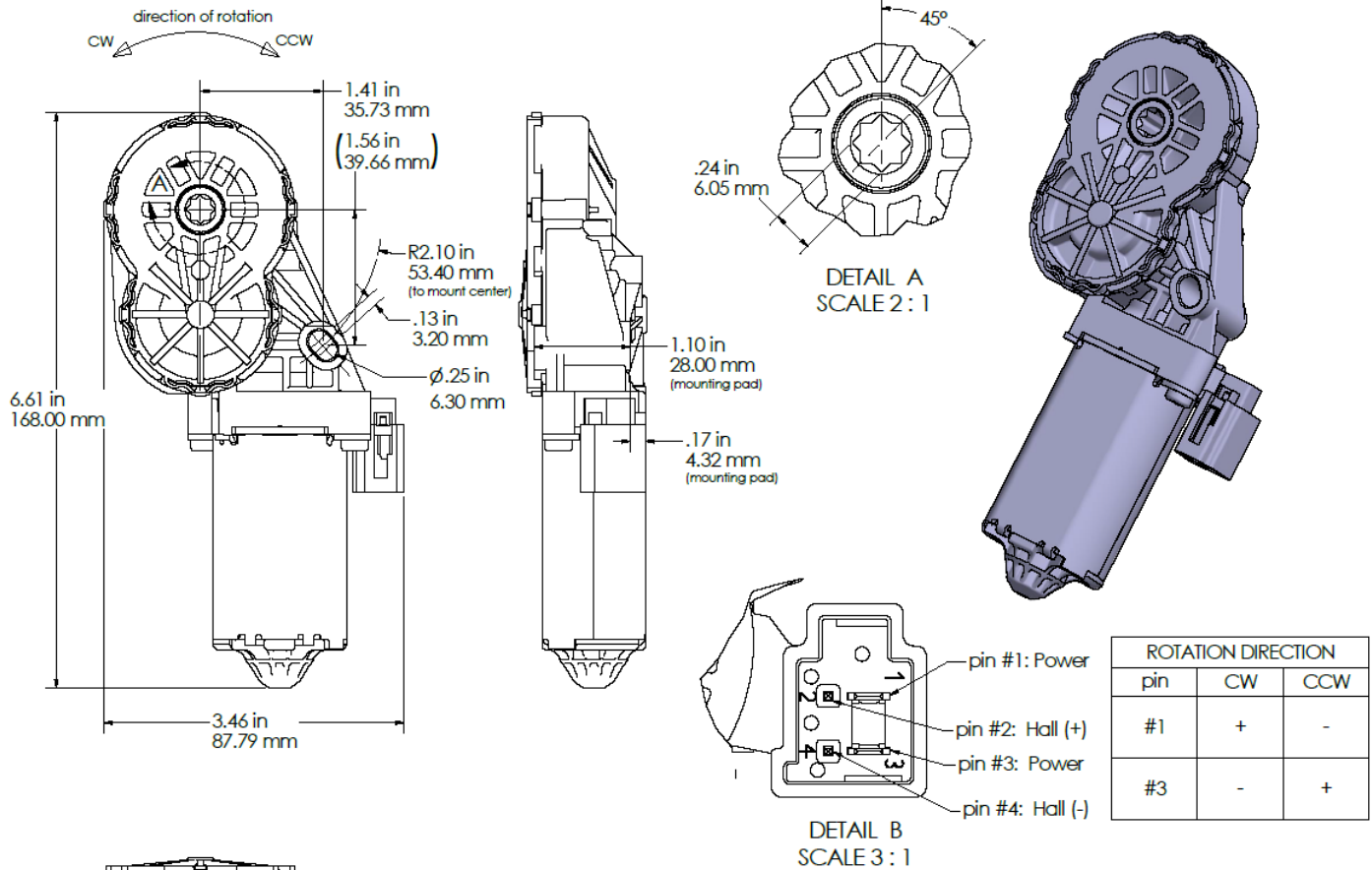


# Bosch Seat drive for FRC donation (PN 6 004 RA3 194-06)

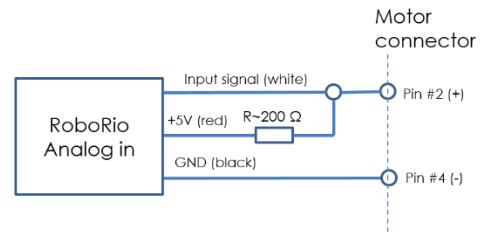


# BOSCH

[www.bosch.us](http://www.bosch.us)

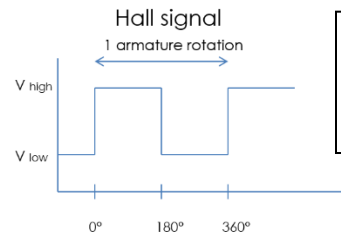
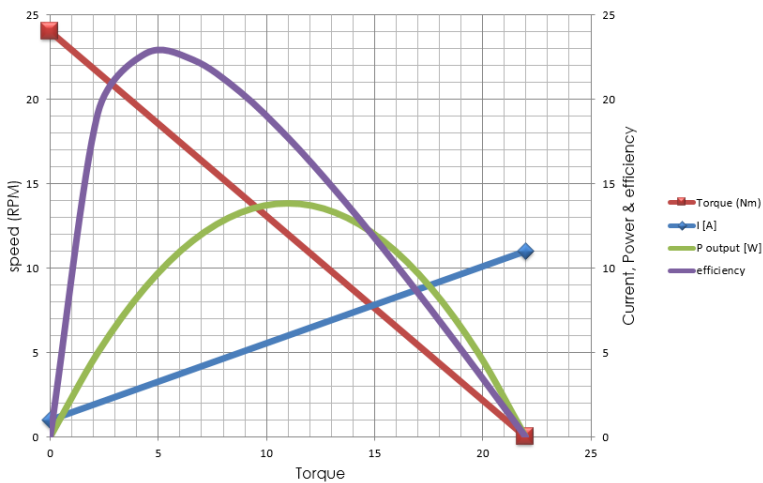


Note: Motor is protected with a thermal switch



Performance values at 13V, 0Ω wire resistance

**Bosch motor 6 004 RA3 194-06 Performance Curve**



Note: Hall signal measured at armature.  
1 pinion rotation = 174.9 armature rotations.

CRITERIA	VALUE (metric)	VALUE (SAE)
No load speed	24 RPM	
Stall Torque	22 Nm	16.2 ft-lbs
No load current	≤ 3 A	
Max stall current	12 A	
Weight	363 g	.8 lbs
Gear ratio in motor	174.9:1	