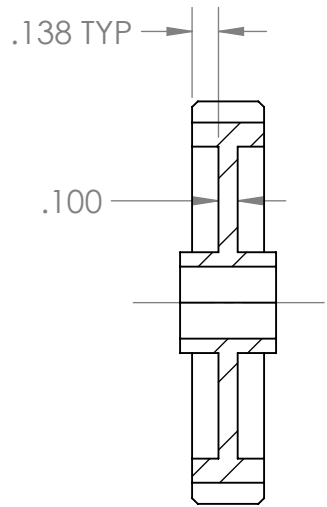
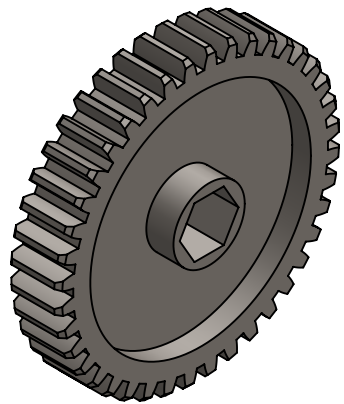
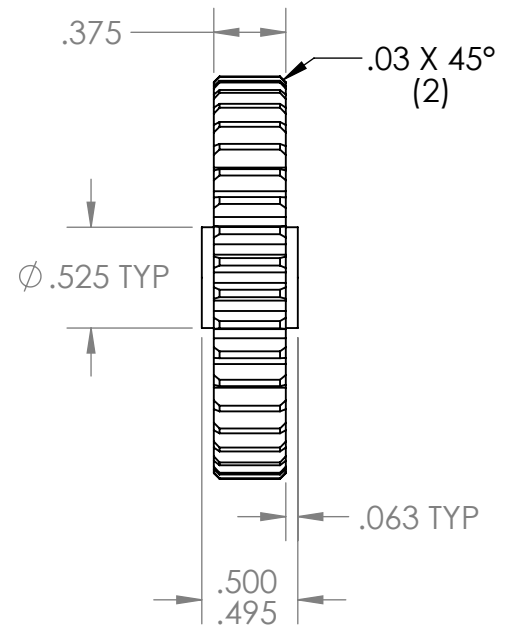
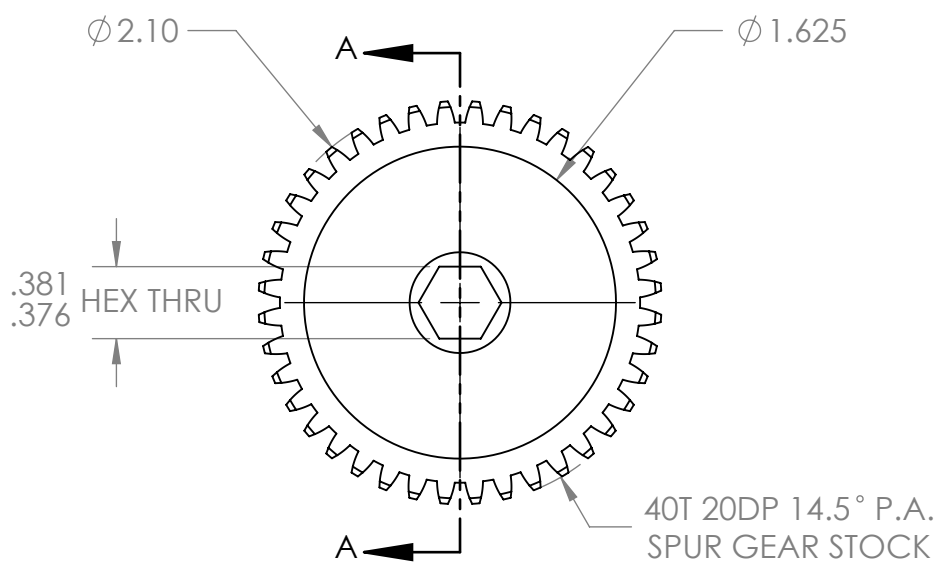



REVISION HISTORY			
REV.	DESCRIPTION	DATE	DRAWN BY
1	ORIGINAL PRINT	6/19/2017	K.STAHLECKER



SECTION A-A



*** SEE CAD FOR ADDITIONAL TOOLPATH INFO***

UNLESS OTHERWISE SPECIFIED:		COMMENTS:				
DIMENSIONS ARE IN INCHES		DUAL DIMENSIONS ARE IN MILLIMETERS.				
TOLERANCES:		BREAK ALL SHARP EDGES		40T 20DP 14.5PA		
FRACTIONAL	±1/16			0.375IN HEX BORE GEAR		
ANGULAR: MACH	±1°			SIZE	DWG. NO.	REV
ANGULAR: BEND	±5°			A	am-3976	1
ONE PLACE DECIMAL	±0.1			SCALE: 1:1	WEIGHT:	SHEET 1 OF 1
TWO PLACE DECIMAL	±0.01					
THREE PLACE DECIMAL	±0.005					
FOUR PLACE DECIMAL	±0.0005					
MATERIAL	4140 STEEL	CHECKED	NAME	DATE		
FINISH	ZINC PLATED	ENG APPR.	NL	10/9/18		
DO NOT SCALE DRAWING		MFG APPR.				
		Q.A.				