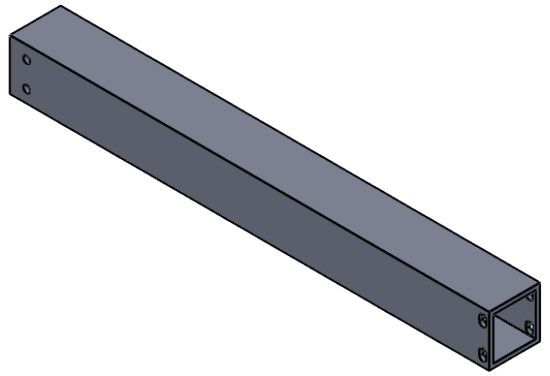
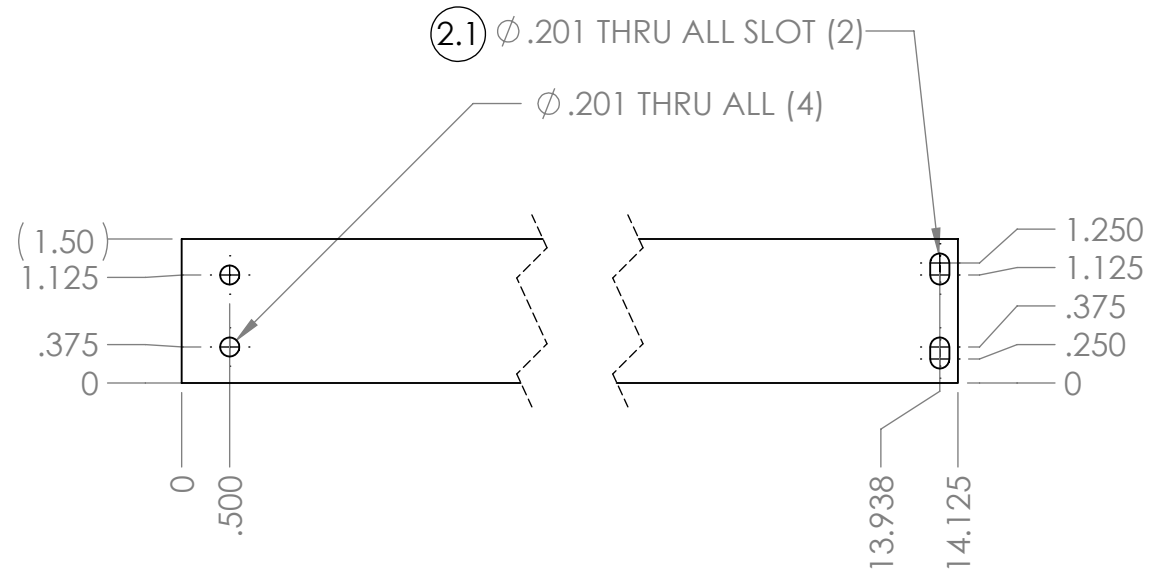
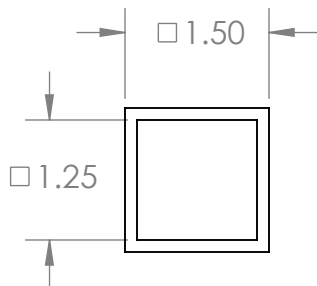



REVISION HISTORY			
REV.	DESCRIPTION	DATE	DRAWN BY
1	ORIGINAL PRINT	11/10/2014	D. RICHARDSON
2	REMADE FOR ANDYMARK MANUFACTURING	10/2015	A. BAKER
2.1	HOLES CHANGED TO SLOTS	10/2015	A. BAKER
3	DRAWN TO MEET AMDS-1	5/17/2018	B. HODSON



\*\*\* SEE CAD FOR ADDITIONAL TOOLPATH INFO\*\*\*

UNLESS OTHERWISE SPECIFIED:		COMMENTS:				
<b>DIMENSIONS ARE IN INCHES</b>		DUAL DIMENSIONS ARE IN MILLIMETERS.				
TOLERANCES:		BREAK ALL SHARP EDGES		TITLE:		
FRACTIONAL	±1/16			<b>DART 12 SQUARE TUBE</b>		
ANGULAR: MACH	±1°					
ANGULAR: BEND	±5°					
ONE PLACE DECIMAL	±0.1					
TWO PLACE DECIMAL	±0.01			SIZE	DWG. NO.	REV
THREE PLACE DECIMAL	±0.005	CHECKED	NAME	<b>A</b>	<b>am-3254</b>	<b>3</b>
FOUR PLACE DECIMAL	±0.0005	ENG APPR.	DATE			
MATERIAL		MFG APPR.		SCALE: 1:4		
6061-T6 ALUMINUM		Q.A.		WEIGHT:		SHEET 1 OF 1
FINISH						
DEBURRED						
DO NOT SCALE DRAWING						