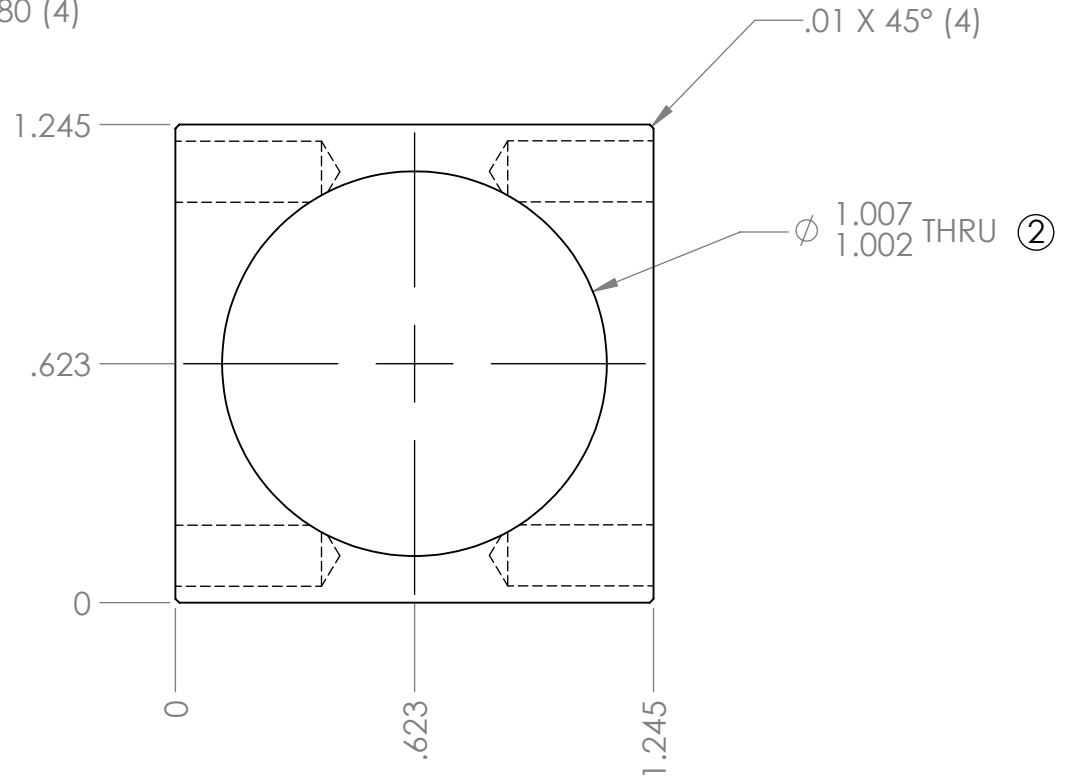
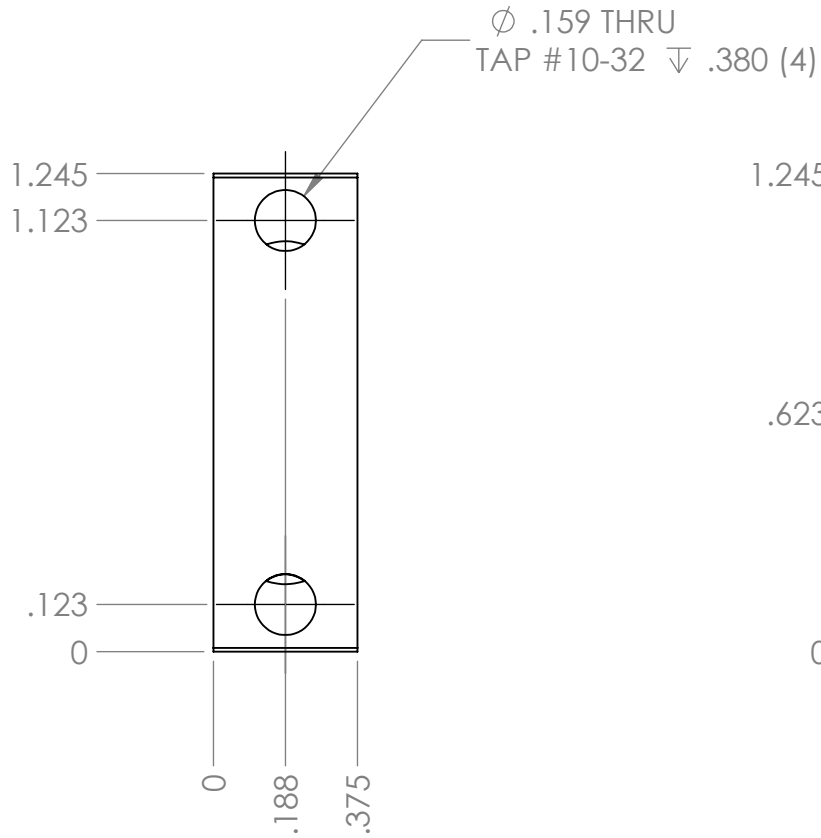
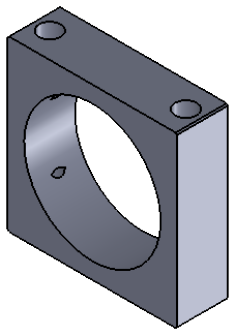



REVISION HISTORY			
REV.	DESCRIPTION	DATE	DRAWN BY
1	ORIGINAL PRINT	10/01/2015	A. BAKER
2	INCREASED HOLE SIZE	10/26/2015	A. BAKER
3	DRAWN TO MEET AMDS-1	5/16/2018	B. HODSON



*** SEE CAD FOR ADDITIONAL TOOLPATH INFO***



UNLESS OTHERWISE SPECIFIED:		COMMENTS:					
DIMENSIONS ARE IN INCHES		DUAL DIMENSIONS ARE IN MILLIMETERS.					
TOLERANCES: FRACTIONAL ±1/16 ANGULAR: MACH ±1° ANGULAR: BEND ±5° ONE PLACE DECIMAL ±0.1 TWO PLACE DECIMAL ±0.01 THREE PLACE DECIMAL ±0.005 FOUR PLACE DECIMAL ±0.0005		BREAK ALL SHARP EDGES		TITLE: DART RAM END BEARING			
MATERIAL BLACK DELRIN		CHECKED	NAME NL	DATE 6/15/18	SIZE A	DWG. NO. am-3259	REV 3
FINISH DEBURRED		ENG APPR.		SCALE: 2:1		WEIGHT:	SHEET 1 OF 1
DO NOT SCALE DRAWING		Q.A.					