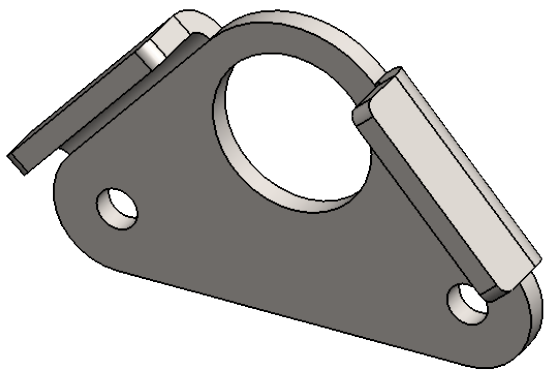
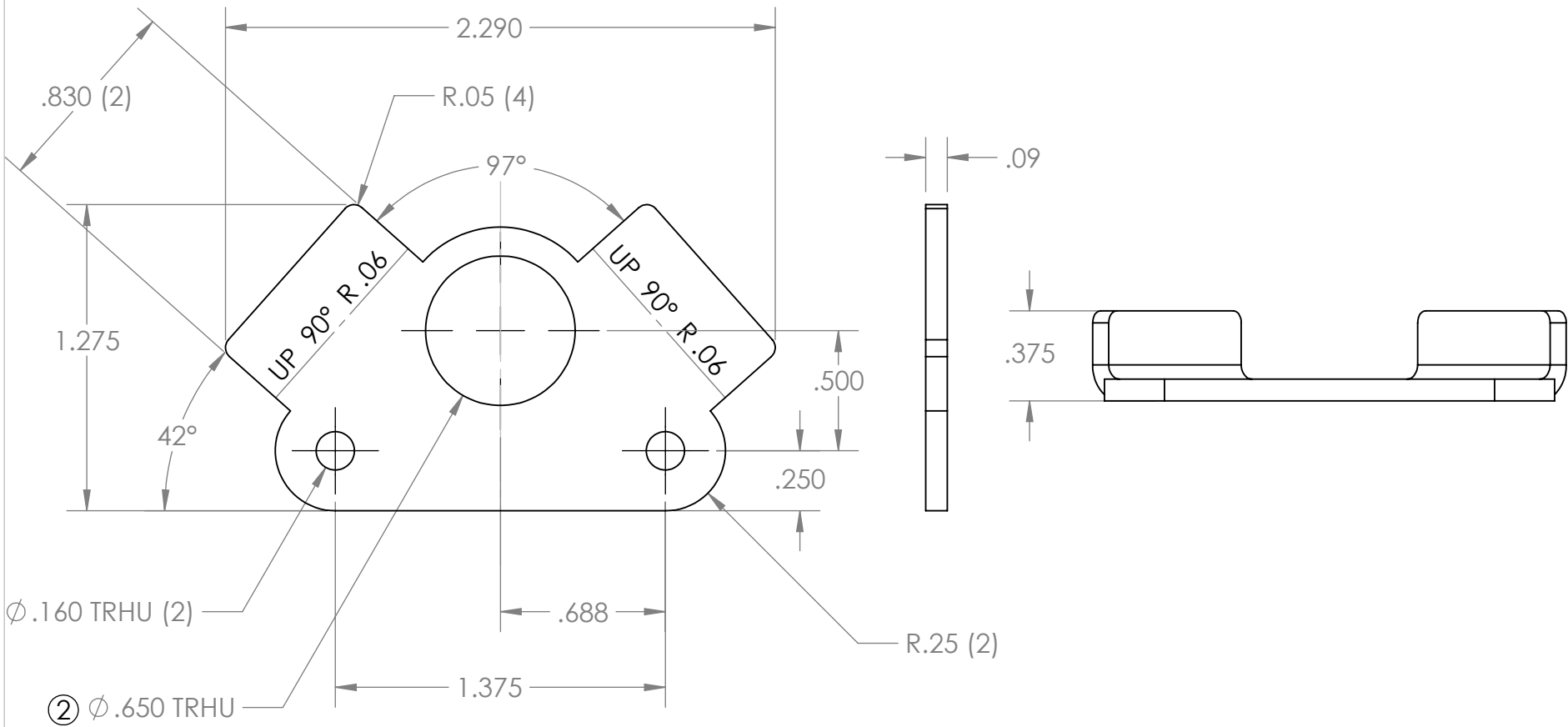



| REVISION HISTORY |                              |            |           |
|------------------|------------------------------|------------|-----------|
| REV.             | DESCRIPTION                  | DATE       | DRAWN BY  |
| 1                | ORIGINAL PRINT               | 10/22/2014 | D. BLAU   |
| 2                | CHANGED LARGE HOLE DIMENSION | 5/11/2018  | B. HODSON |



\*\*\* SEE CAD FOR ADDITIONAL TOOLPATH INFO\*\*\*

|                                 |             |                                     |      |   |          |          |
|---------------------------------|-------------|-------------------------------------|------|---|----------|----------|
| UNLESS OTHERWISE SPECIFIED:     |             | COMMENTS:                           |      |  |          |          |
| <b>DIMENSIONS ARE IN INCHES</b> |             | DUAL DIMENSIONS ARE IN MILLIMETERS. |      |   |          |          |
| TOLERANCES:                     |             | BREAK ALL SHARP EDGES               |      | TITLE:  |          |          |
| FRACTIONAL                      | ±1/16       |                                     |      | SUPER SONIC SHIFTER   |          |          |
| ANGULAR: MACH                   | ±1°         |                                     |      | CYLINDER MOUNT  |          |          |
| ANGULAR: BEND                   | ±5°         |                                     |      | SIZE  | DWG. NO. | REV      |
| ONE PLACE DECIMAL               | ±0.1        |                                     |      | <b>A</b>  | am-3045  | <b>2</b> |
| TWO PLACE DECIMAL               | ±0.01       |                                     |      | SCALE: 1.5:1 WEIGHT:  |          |          |
| THREE PLACE DECIMAL             | ±0.005      |                                     |      | SHEET 1 OF 1  |          |          |
| FOUR PLACE DECIMAL              | ±0.0005     |                                     |      |   |          |          |
| MATERIAL                        | CRS         | CHECKED                             | NAME | DATE  |          |          |
| FINISH                          | ZINC PLATED | ENG APPR.                           |      |   |          |          |
| DO NOT SCALE DRAWING            |             | MFG APPR.                           |      |   |          |          |
|                                 |             | Q.A.                                |      |   |          |          |