

Description

The E4T miniature transmissive optical encoder is designed to provide digital quadrature encoder feedback for high volume, limited space applications. The E4T is designed to be a drop in replacement for the E4P that offers higher maximum speed and increased output drive. The E4T utilizes an innovative, push-on encoder disk which accepts shaft diameters of 2.0mm to .250".

The E4T miniature encoder base provides mounting holes for two #3-48, length 3/16" or two M2.5, length 4mm screws on a .586" bolt circle. The encoder cover is easily snapped onto the base and is marked with the connector pin-out.

The E4T series encoder is connected using a 4-conductor, high retention, polarized, 1.25mm pitch connector. Mating cables and connectors (see the Cables / Connectors web page) are not included, and are available separately.

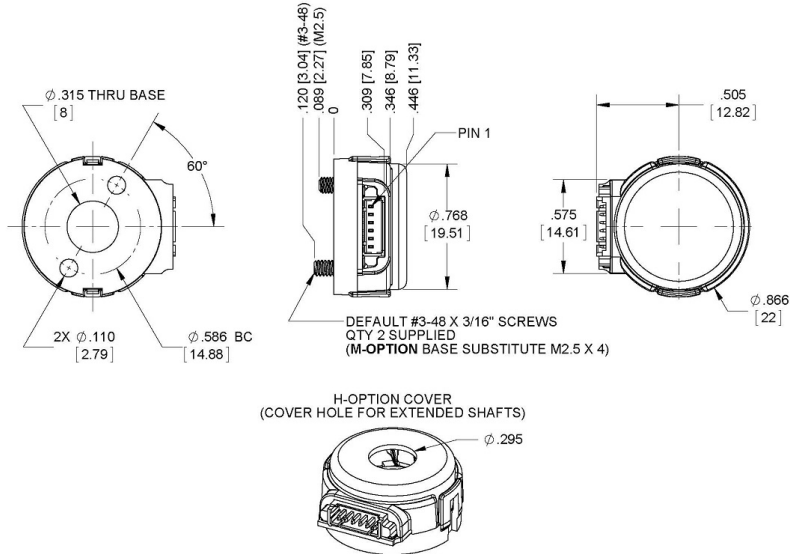


Features

- ▶ Push-on hub - spring loaded collet design
- ▶ Minimum shaft length of .275"
- ▶ Fits shaft diameters of .079" to .250"
- ▶ 100 to 1000 cycles per revolution (CPR)
- ▶ 400 to 4000 pulses per revolution (PPR)
- ▶ Single +5V supply

E4T Differential

E4T Differential OEM Miniature Optical Kit Encoder



RELEASE DATE: 02/17/2014

US DIGITAL 1400 NE 136th Avenue
Vancouver, Washington 98684, USA

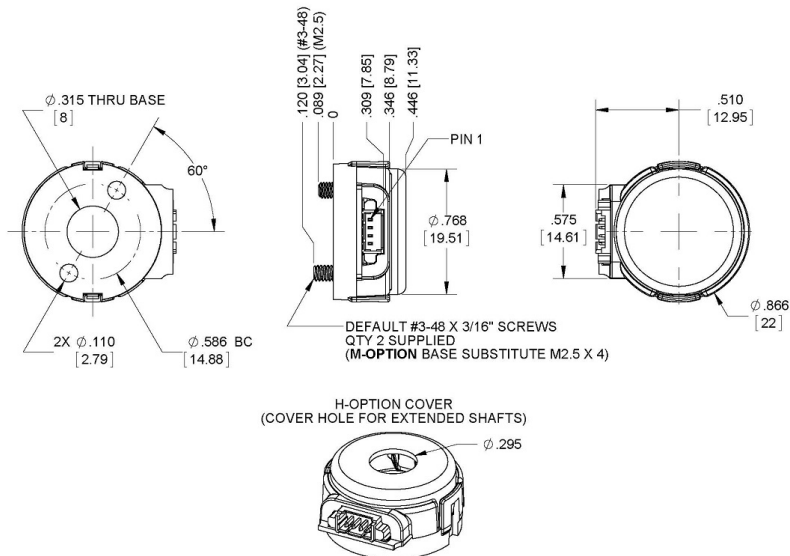
info@usdigital.com
www.usdigital.com

Local: 360.260.2468
Toll-free: 800.736.0194

UNITS: INCHES (MM)
METRIC SHOWN FOR REFERENCE ONLY

E4T Single Ended

E4T Single-Ended OEM Miniature Optical Kit Encoder



RELEASE DATE: 02/17/2014

US DIGITAL 1400 NE 136th Avenue
Vancouver, Washington 98684, USA

info@usdigital.com
www.usdigital.com

Local: 360.260.2468
Toll-free: 800.736.0194

UNITS: INCHES (MM)
METRIC SHOWN FOR REFERENCE ONLY

Environmental

Parameter	Value	Units
Operating Temperature	-20 to 100	C
Electrostatic Discharge, IEC 61000-4-2		
Single-ended (-S version)	± 12	KV
Differential (-D version)	± 7	
Shock, 6 millisecond, half-sine	75	G
Vibration (20Hz to 2kHz, sinusoidal)	20	G

Mechanical

Parameter	Value	Units
Max. Shaft Axial Play	± .010	in.
Max. Shaft Runout (TIR)	.002	in.
Max. Acceleration	250,000	rad/sec ²
Maximum RPM (1) e.x. CPR = 300, max. rpm = 20000 e.x. CPR = 200, max. rpm = 30000	minimum value of (6000000/CPR) and (60000)	RPM
Max. Codewheel Moment of Inertia	5.1 x 10 ⁻⁷	oz-in-s ²
Mounting Screw Size Default (D-option base) Metric (M-option base)	#3-48 x 3/16" M2.5, length 4mm	
Screw Bolt Circle Diameter	.586 ±.005	in.
Minimum Shaft Length (2)	.275	in.
Maximum Shaft Length (2)	.395 (D option) / no limit (H option)	in.
Mounting Screw Torque	2-3	in-lbs

Technical Bulletin TB1001 - Shaft and Bore Tolerances

[Download](#)

(1) 60000 RPM is the maximum rpm due to mechanical considerations. The maximum RPM due to the module's 100kHz maximum output frequency is (6000000/CPR).

(2) Including axial play.

Single-ended Electrical

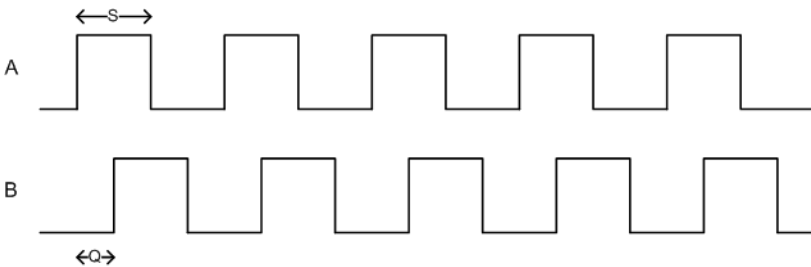
Specifications	Min.	Typ.	Max.	Units	Notes
----------------	------	------	------	-------	-------

Supply Voltage	4.5	5.0	5.5	V	
Supply Current		25	30	mA	CPR ≤ 500, no load
		34	42	mA	CPR > 500, no load
Low-level Output			0.4	V	CPR ≤ 500, IOL= 8 mA
					CPR > 500, IOL= 5 mA
High-level Output	2.4			V	CPR ≤ 500, IOH= -8 mA
		4.0		V	CPR > 500, IOH= -5 mA
Output Rise Time		100		ns	no load
Output Fall Time		50		ns	no load

Differential Electrical

Specifications	Min.	Typ.	Max.	Units	Notes
Supply Voltage	4.5	5.0	5.5	V	
Supply Current		27	32	mA	CPR ≤ 500, no load
		36	44	mA	CPR > 500, no load
Single-Ended Output Voltage High	4.75	5.0		V	Min. @ 25mA load, Typ. @ no load
Single-Ended Output Voltage Low		0.25	0.60	V	Typ. @ no load, Max. @ 4.5mA load
Differential Output Voltage	3.0	3.8		V	RL = 100 ohm
Differential Output Rise/Fall Time			20	ns	

Phase Relationship



Parameter	Min.	Typ.	Max.	Units
Symmetry, S	105	180	255	electrical degrees
Quadrature Delay, Q	30	90	150	electrical degrees

(1) A leads B for clockwise shaft rotation, B leads A for counter clockwise shaft rotation viewed from the cover side of the encoder.

(2) Typical values represent the encoder performance at typical mounting alignment, whereas the maximum values represent the encoder performance across the range of recommended mounting tolerance.

Pin-out

4-pin Single-ended (1)		6-pin Differential (2)	
Pin	Description	Pin	Description
1	+5VDC power	1	Ground
2	A channel	2	A channel
3	Ground	3	A- channel
4	B channel	4	+5VDC power
		5	B channel
		6	B- channel

(1) 4-pin single-ended mating connector is CON-MIC4

(2) 6-pin differential mating connector is CON-MIC6

Options

H-option (Hole In Cover)

The **H**-option adds a 0.295" diameter hole in the cover for the shaft to pass through.

M-option (Metric Mounting Screws)

Provides alternate metric M2.5, length 4mm screws. When **M**-option is NOT specified the default is #3-48 x 3/16" screws.

Accessories

1. Centering Tool*

Part #: MCTOOL - (Shaft Diameter)

Description: This reusable tool is used to accurately center the **E4T** base on the shaft.

2. Spacer Tool*

Part #: SPACER-E4T

Description: This reusable tool is used to properly space the codewheel from the encoder.

**Both the MCTOOL and SPACER-E4T tools are included with all packaging options.*

Assembly Instructions

E4T Assembly Instructions - <http://usdigital.com/assets/assembly/E4T%20Assembly%20Instructions.pdf>

Ordering Information

E4T	CPR	Bore	Output	Cover	Base	Packaging
	100	079 =	S =Single	D =Default	D =Default	B =Encoder components packaged in bulk. One spacer and one centering tool per 100 encoders.
	108	2mm	Ended	H =Hole in Cover	M =Alternate metric M2.5, length 4mm screws	1 =Each encoder packaged individually. One spacer tool and one centering tool per 100 encoders.
	120 =	098 =	D =Differential			2 =Each encoder packaged individually. One spacer and one centering tool per encoder.
	125 =	2.5mm				
	128 =	118 =				
	200 =	3mm				
	250 =	125 =1/8"				
	256 =	157 =				
	300 =	4mm				
	360 =	188 =				
	400 =	3/16"				
	500 =	197 =				
	512 =	5mm				
	720 =	236 =				
	800 =	6mm				
	1000 =	250 =1/4"				

Notes

- Cables and connectors are not included and must be ordered separately.
- US Digital® warrants its products against defects in materials and workmanship for two years. See complete warranty for details.