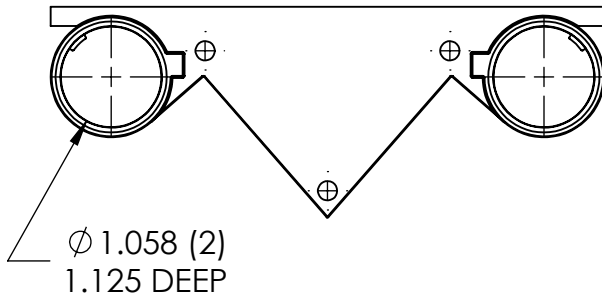
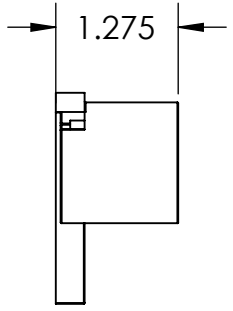
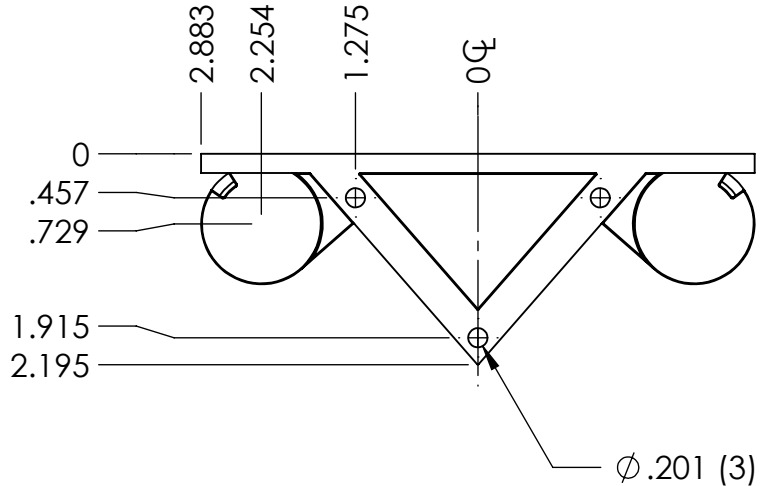
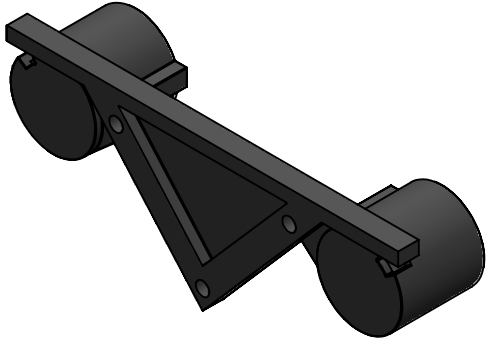
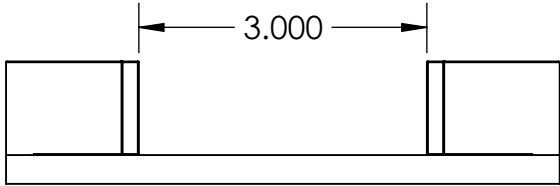



REVISION HISTORY			
REV.	DESCRIPTION	DATE	DRAWN BY
1	ORIGINAL PRINT	5/31/2019	D Blau



\*\*\* SEE CAD FOR ADDITIONAL TOOLPATH INFO\*\*\*

UNLESS OTHERWISE SPECIFIED:		COMMENTS:					
<b>DIMENSIONS ARE IN INCHES</b>		DUAL DIMENSIONS ARE IN MILLIMETERS.					
TOLERANCES: FRACTIONAL ±1/16 ANGULAR: MACH ±1° ANGULAR: BEND ±5° ONE PLACE DECIMAL ±0.1 TWO PLACE DECIMAL ±0.01 THREE PLACE DECIMAL ±0.005 FOUR PLACE DECIMAL ±0.0005		BREAK ALL SHARP EDGES.		TITLE: <b>SKYBRIDGE Closed End Cap</b>			
MATERIAL	Black PolyPro	CHECKED	NAME	DATE	SIZE	DWG. NO.	REV
FINISH	Debured	ENG APPR.	KK	8/8/19	<b>A</b>	<b>am-4042</b>	<b>1</b>
DO NOT SCALE DRAWING		MFG APPR.	Q.A.		SCALE: 1:2		SHEET 1 OF 1