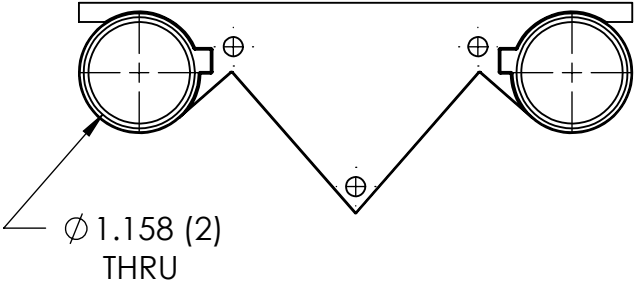
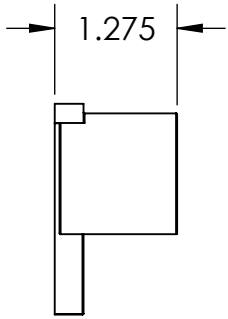
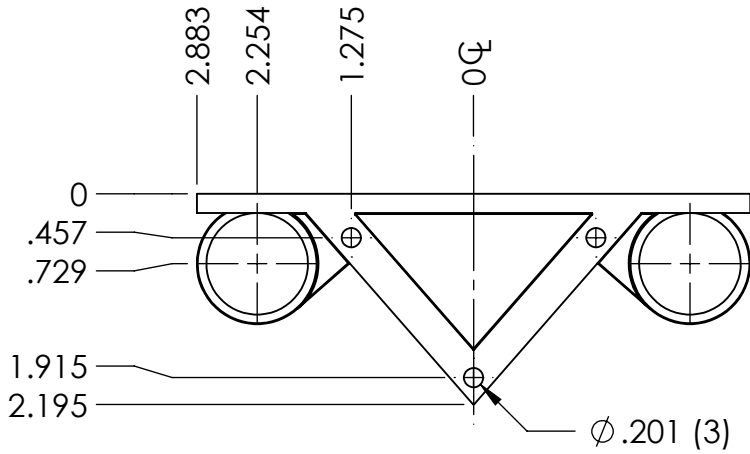
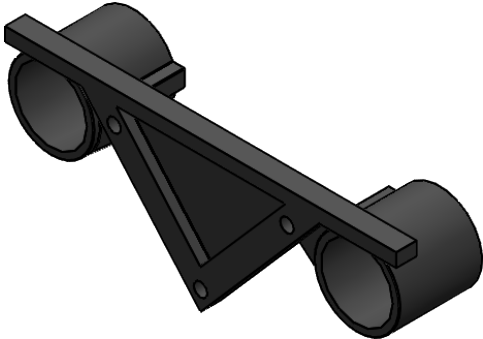
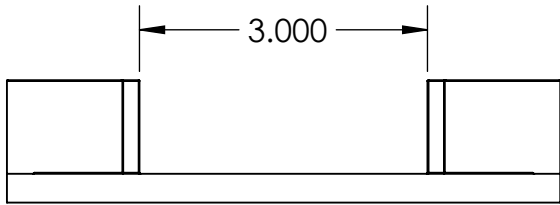



REVISION HISTORY			
REV.	DESCRIPTION	DATE	DRAWN BY
1	ORIGINAL PRINT	5/31/2019	D Blau



*** SEE CAD FOR ADDITIONAL TOOLPATH INFO***

UNLESS OTHERWISE SPECIFIED:		COMMENTS:					
DIMENSIONS ARE IN INCHES		DUAL DIMENSIONS ARE IN MILLIMETERS.					
TOLERANCES: FRACTIONAL $\pm 1/16$ ANGULAR: MACH $\pm 1^\circ$ ANGULAR: BEND $\pm 5^\circ$ ONE PLACE DECIMAL ± 0.1 TWO PLACE DECIMAL ± 0.01 THREE PLACE DECIMAL ± 0.005 FOUR PLACE DECIMAL ± 0.0005		BREAK ALL SHARP EDGES.		TITLE:			
MATERIAL: Black Polypro				SKYBRIDGE			
FINISH: Debured				Open End Cap			
DO NOT SCALE DRAWING		CHECKED	NAME	DATE	SIZE	DWG. NO.	REV
		ENG APPR.	KK	8/8/19	A	am-4043	1
		MFG APPR.					
		Q.A.					