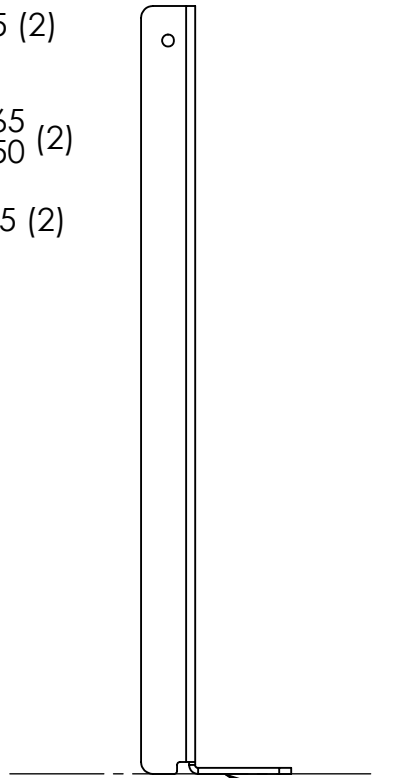
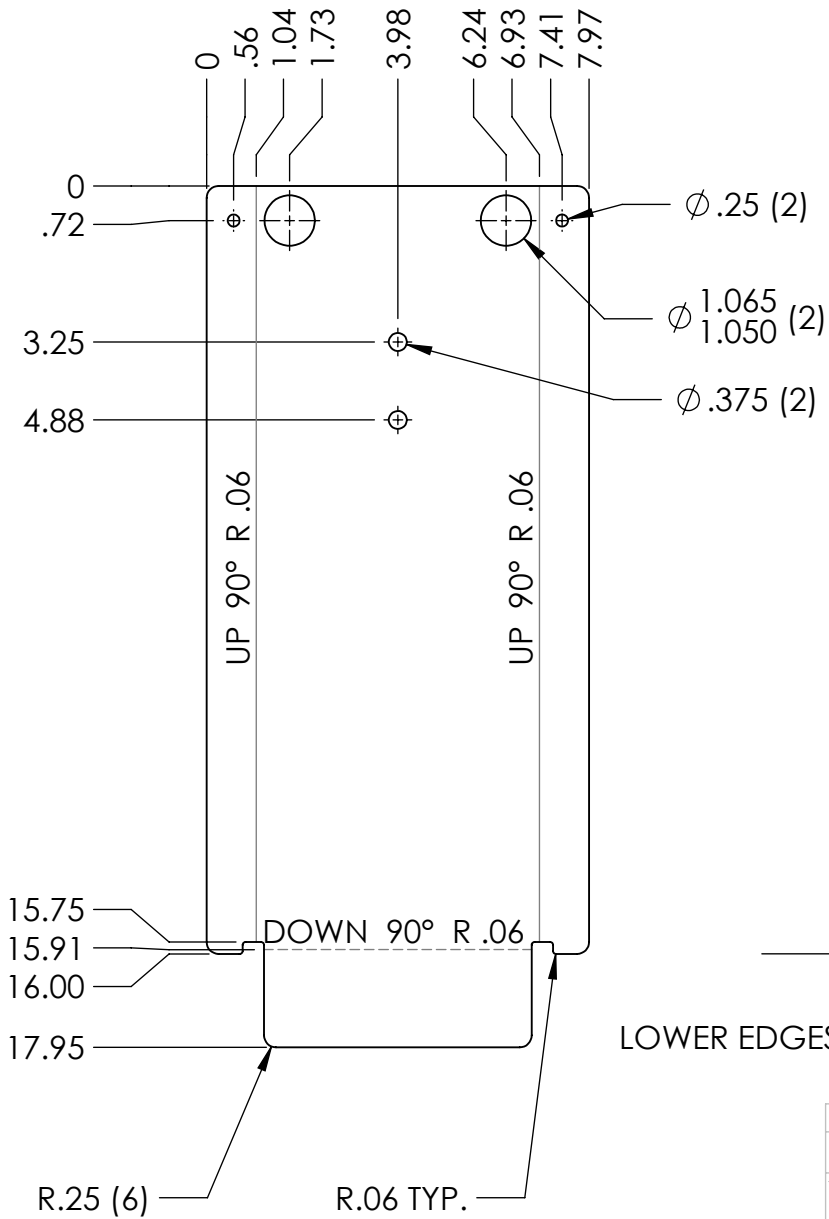
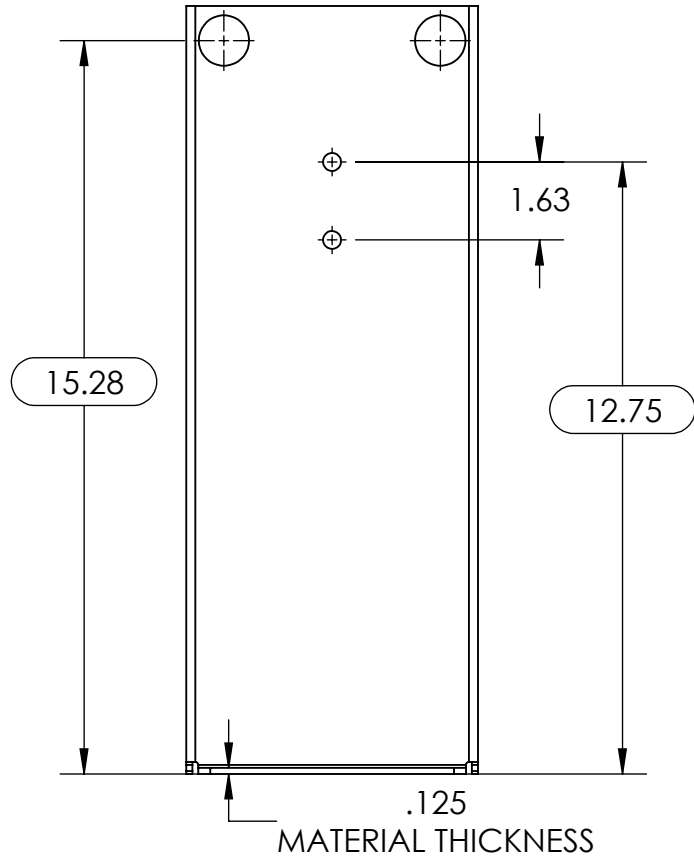



REVISION HISTORY			
REV.	DESCRIPTION	DATE	DRAWN BY
1	ORIGINAL PRINT	2/27/2019	D Blau



LOWER EDGES ARE COPLAINER



\*\*\* SEE CAD FOR ADDITIONAL TOOLPATH INFO\*\*\*

UNLESS OTHERWISE SPECIFIED:		COMMENTS:				
<b>DIMENSIONS ARE IN INCHES</b>		DUAL DIMENSIONS ARE IN MILLIMETERS.				
TOLERANCES:		BREAK ALL SHARP EDGES.		TITLE:		
FRACTIONAL	±1/16			<b>SKYBRIDGE</b> <b>Book End</b>		
ANGULAR: MACH	±1°					
ANGULAR: BEND	±5°			SIZE	DWG. NO.	REV
ONE PLACE DECIMAL	±0.1			<b>A</b>	<b>am-4045</b>	<b>1</b>
TWO PLACE DECIMAL	±0.01			SCALE: 1:4		
THREE PLACE DECIMAL	±0.005			SHEET 1 OF 1		
FOUR PLACE DECIMAL	±0.0005					
MATERIAL	5052 AL	CHECKED	NAME	DATE		
FINISH	DEBURRED	ENG APPR.	KK	8/8/19		
DO NOT SCALE DRAWING		MFG APPR.				
		Q.A.				