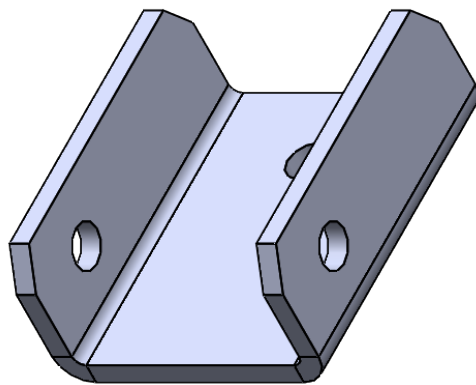
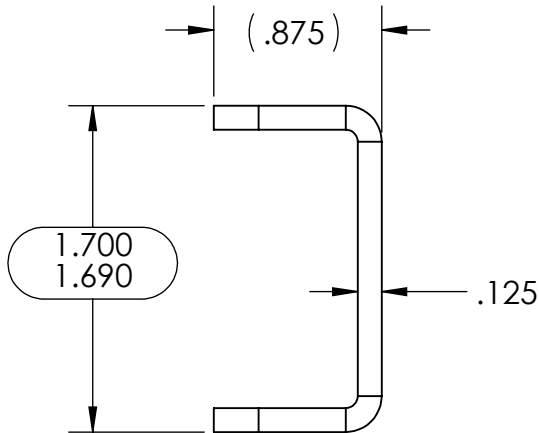
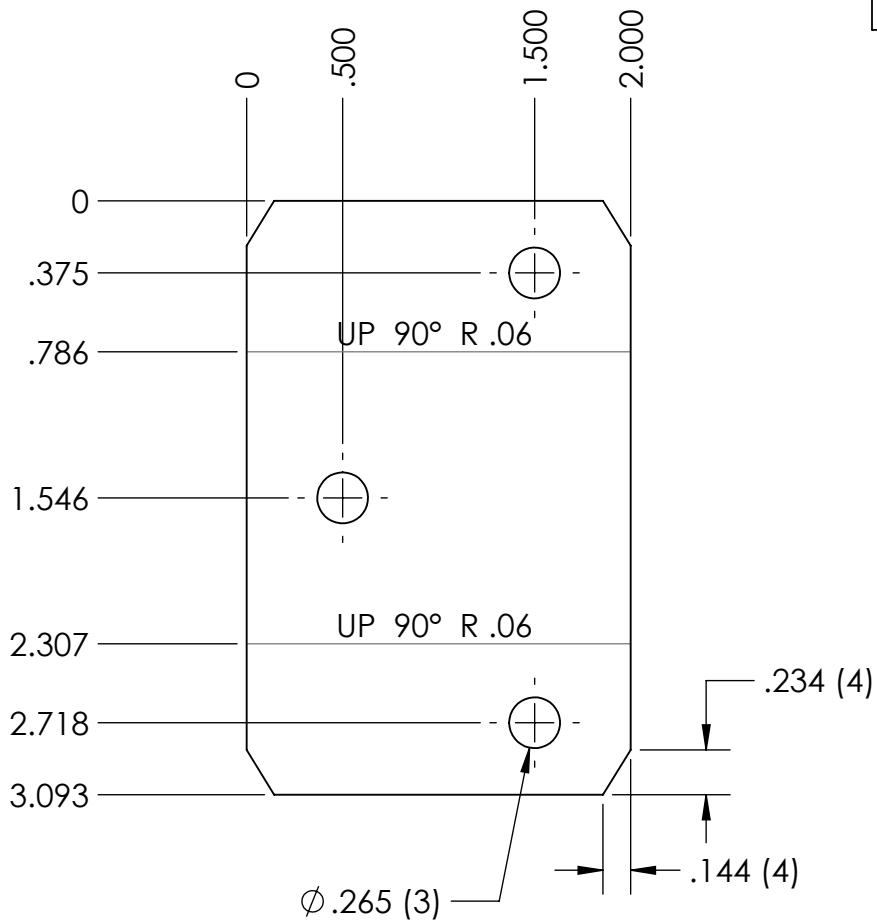



REVISION HISTORY			
REV.	DESCRIPTION	DATE	DRAWN BY
1	ORIGINAL PRINT	2/27/2019	D Blau



*** SEE CAD FOR ADDITIONAL TOOLPATH INFO***

UNLESS OTHERWISE SPECIFIED:		COMMENTS:				
DIMENSIONS ARE IN INCHES		DUAL DIMENSIONS ARE IN MILLIMETERS.				
TOLERANCES:		BREAK ALL SHARP EDGES.		TITLE:		
FRACTIONAL	±1/16			SKYBRIDGE Foot Bracket		
ANGULAR: MACH	±1°					
ANGULAR: BEND	±5°					
ONE PLACE DECIMAL	±0.1					
TWO PLACE DECIMAL	±0.01	MATERIAL		SIZE	DWG. NO.	REV
THREE PLACE DECIMAL	±0.005	5052 AL		A	am-4046	1
FOUR PLACE DECIMAL	±0.0005	FINISH		SCALE: 1:1		
DO NOT SCALE DRAWING		DEBURED		SHEET 1 OF 1		
		CHECKED		NAME	DATE	
		ENG APPR.		KK	8/8/19	
		MFG APPR.				
		Q.A.				