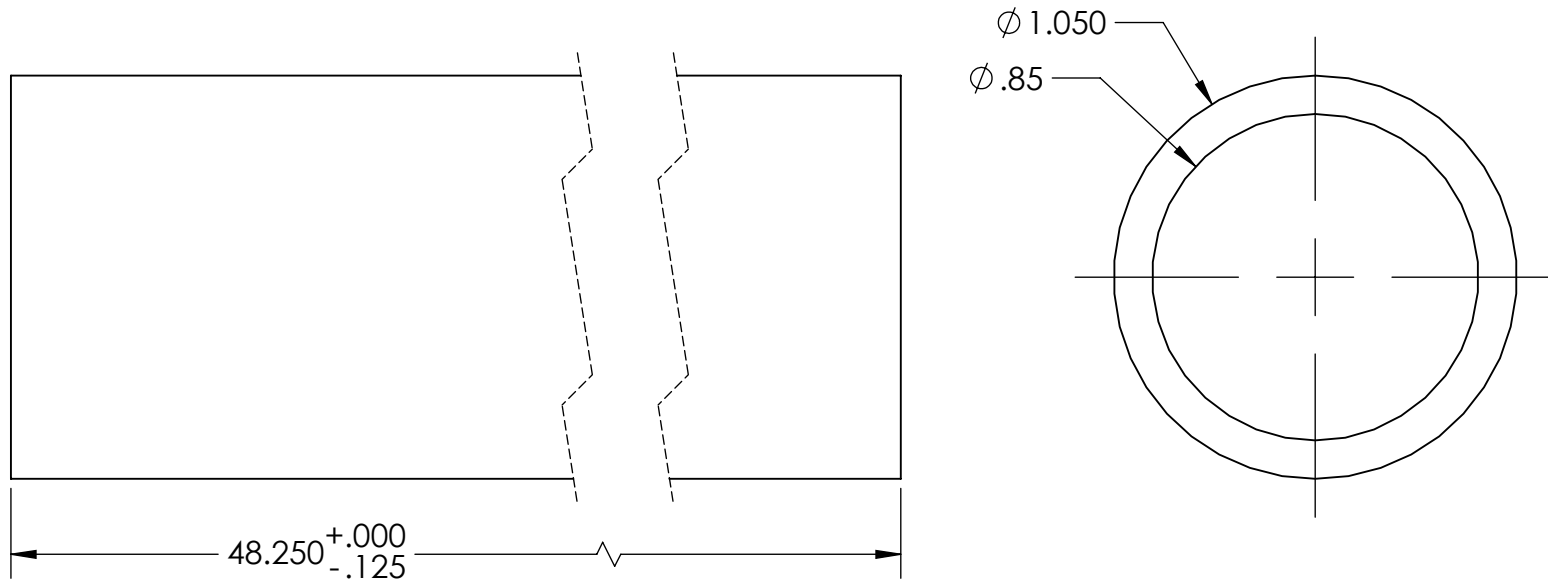



REVISION HISTORY			
REV.	DESCRIPTION	DATE	DRAWN BY
1	ORIGINAL PRINT	5/31/2019	D Blau



\*\*\* SEE CAD FOR ADDITIONAL TOOLPATH INFO\*\*\*

UNLESS OTHERWISE SPECIFIED:		COMMENTS:					
<b>DIMENSIONS ARE IN INCHES</b>		DUAL DIMENSIONS ARE IN MILLIMETERS.					
TOLERANCES: FRACTIONAL ±1/16 ANGULAR: MACH ±1° ANGULAR: BEND ±5° ONE PLACE DECIMAL ±0.1 TWO PLACE DECIMAL ±0.01 THREE PLACE DECIMAL ±0.005 FOUR PLACE DECIMAL ±0.0005		BREAK ALL SHARP EDGES.		TITLE: <b>SKYBRIDGE Middle Bar</b>			
MATERIAL HIPS		CHECKED	NAME KK	DATE 8/8/19	SIZE <b>A</b>	DWG. NO. am-4050_Gold	REV <b>1</b>
FINISH Debured		ENG APPR.		MFG APPR.		SCALE: 2:1	
DO NOT SCALE DRAWING		Q.A.				SHEET 1 OF 1	