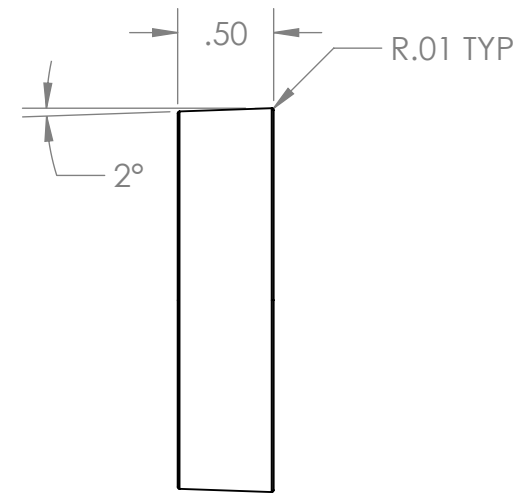
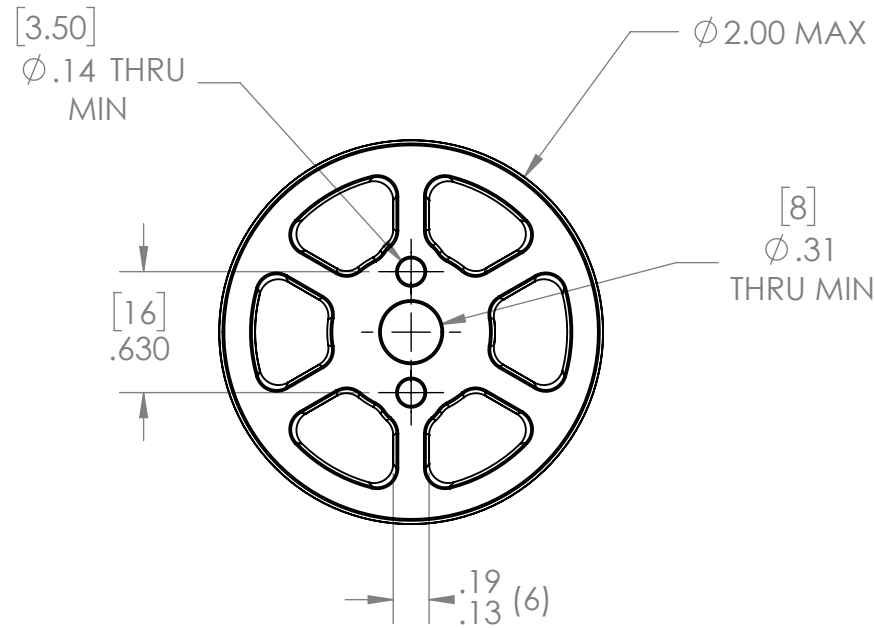


REVISION HISTORY			
REV.	DESCRIPTION	DATE	DRAWN BY
1	ORIGINAL PRINT	9/11/2017	N. LAWRENCE
2	UPDATED TO AMDS-1	5/14/2018	A. MILLS
3	REMOVED TABLE, ADJUSTED DIMS	9/4/2019	N. LAWRENCE



*** SEE CAD FOR ADDITIONAL TOOLPATH INFO***



UNLESS OTHERWISE SPECIFIED:		COMMENTS:				
DIMENSIONS ARE IN INCHES		DUAL DIMENSIONS ARE IN MILLIMETERS.				
TOLERANCES:		BREAK ALL SHARP EDGES.		TITLE:		
FRACTIONAL ±1/16		2° DRAFT APPLIED TO MOST SURFACES FOR MOLD RELEASE UNLESS OTHERWISE NOTED.		8MM BORE		
ANGULAR: MACH ±1°				2IN COMPLIANT WHEEL		
ANGULAR: BEND ±5°						
ONE PLACE DECIMAL ±0.1						
TWO PLACE DECIMAL ±0.01						
THREE PLACE DECIMAL ±0.005						
FOUR PLACE DECIMAL ±0.0005						
MATERIAL TPU		NAME	DATE	SIZE	DWG. NO.	REV
		CHECKED	NL	6/6/2018	A am-3572	3
		ENG APPR.				
		MFG APPR.				
DO NOT SCALE DRAWING		Q.A.			SCALE: 1:1	SHEET 1 OF 1