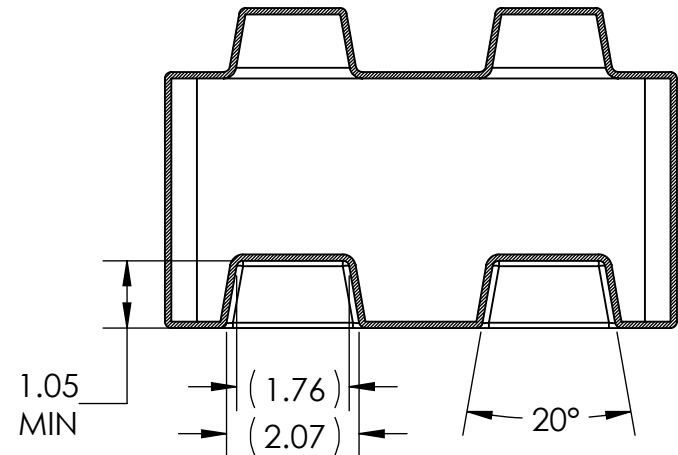
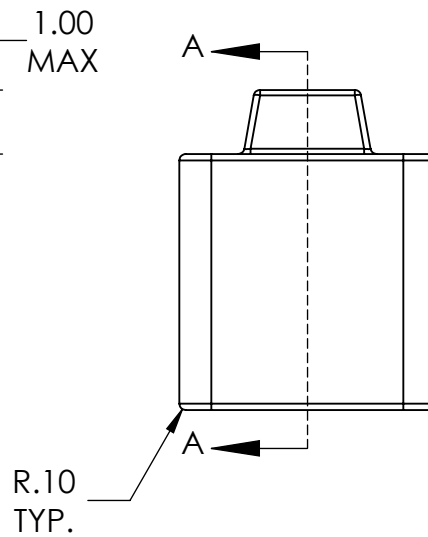
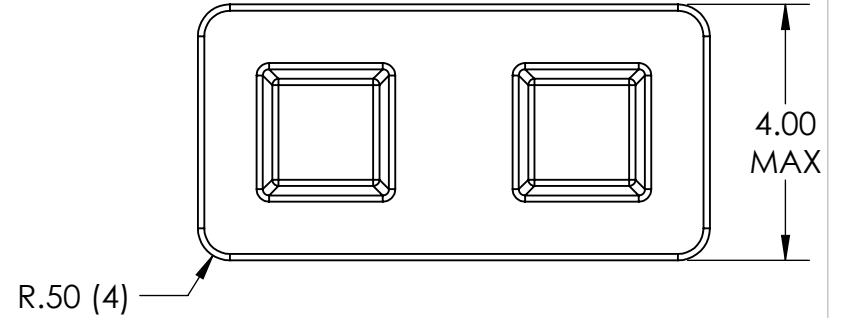
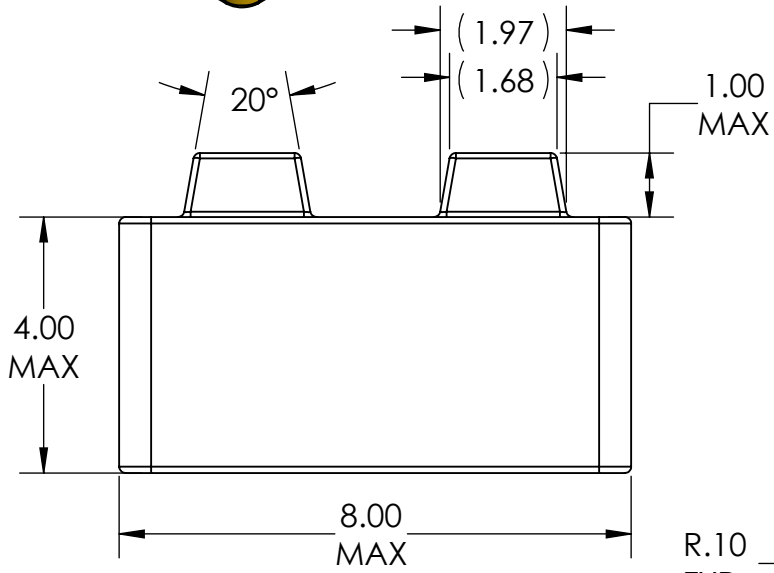
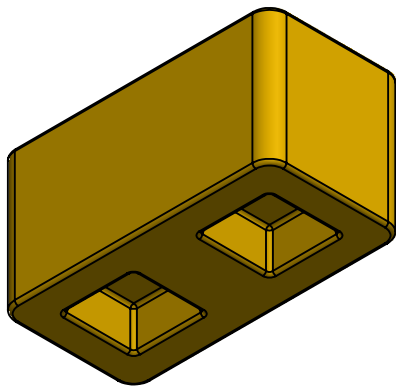



REVISION HISTORY			
REV.	DESCRIPTION	DATE	DRAWN BY
0	CONCEPT PRINT (AS P/N LR20-Bxx1 Rev2)	8/28/2018	Danny B
1	ORIGINAL PRINT	11/13/2018	Danny B



SECTION A-A

*** SEE CAD FOR ADDITIONAL TOOLPATH INFO***



UNLESS OTHERWISE SPECIFIED:		COMMENTS:					
DIMENSIONS ARE IN INCHES		DUAL DIMENSIONS ARE IN MILLIMETERS.					TITLE:
TOLERANCES: FRACTIONAL ±1/16 ANGULAR: MACH ±1° ANGULAR: BEND ±5° ONE PLACE DECIMAL ±0.1 TWO PLACE DECIMAL ±0.01 THREE PLACE DECIMAL ±0.0005 FOUR PLACE DECIMAL ±0.0005		BREAK ALL SHARP EDGES.		Stone			
MATERIAL Polypropylene		CHECKED	NAME	DATE	SIZE A	DWG. NO. am-4018	REV 1
FINISH		ENG APPR.			SCALE: 1:3		SHEET 1 OF 1
DO NOT SCALE DRAWING		MFG APPR.					
		Q.A.					