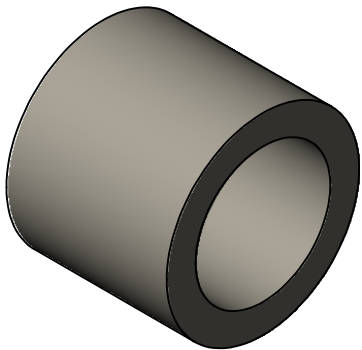
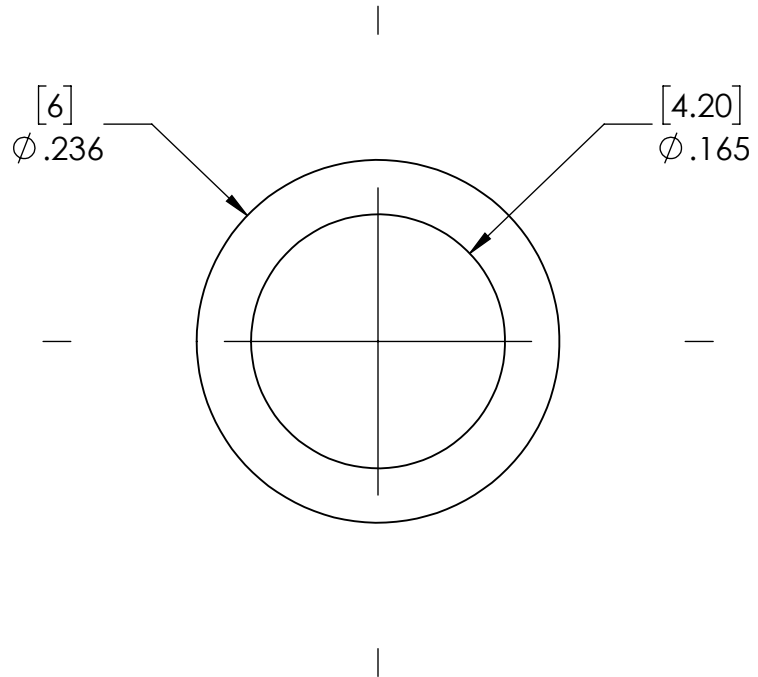
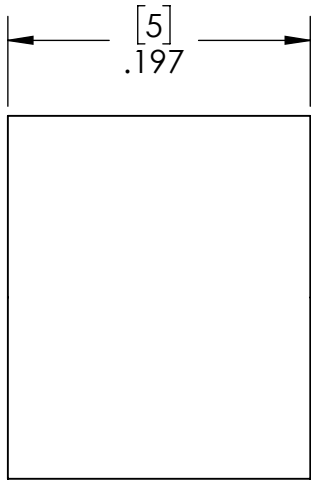



REVISION HISTORY			
REV.	DESCRIPTION	DATE	DRAWN BY
1	ORIGINAL PRINT	9/18/2019	D BLAU



*** SEE CAD FOR ADDITIONAL TOOLPATH INFO***

UNLESS OTHERWISE SPECIFIED:		COMMENTS:				
DIMENSIONS ARE IN INCHES		DUAL DIMENSIONS ARE IN MILLIMETERS.				
TOLERANCES:		BREAK ALL SHARP EDGES.		TITLE:		
FRACTIONAL	$\pm 1/16$			6mmOD x 4mmID x		
ANGULAR: MACH	$\pm 1^\circ$			5mmT Spacer		
ANGULAR: BEND	$\pm 5^\circ$			SIZE	DWG. NO.	REV
ONE PLACE DECIMAL	± 0.1			A	am-1531	1
TWO PLACE DECIMAL	± 0.01			SCALE: 8:1		
THREE PLACE DECIMAL	± 0.005	SHEET 1 OF 1				
FOUR PLACE DECIMAL	± 0.0005					
MATERIAL	Nylon	CHECKED	NAME	DATE		
FINISH		ENG APPR.				
		MFG APPR.				
		Q.A.				
DO NOT SCALE DRAWING						