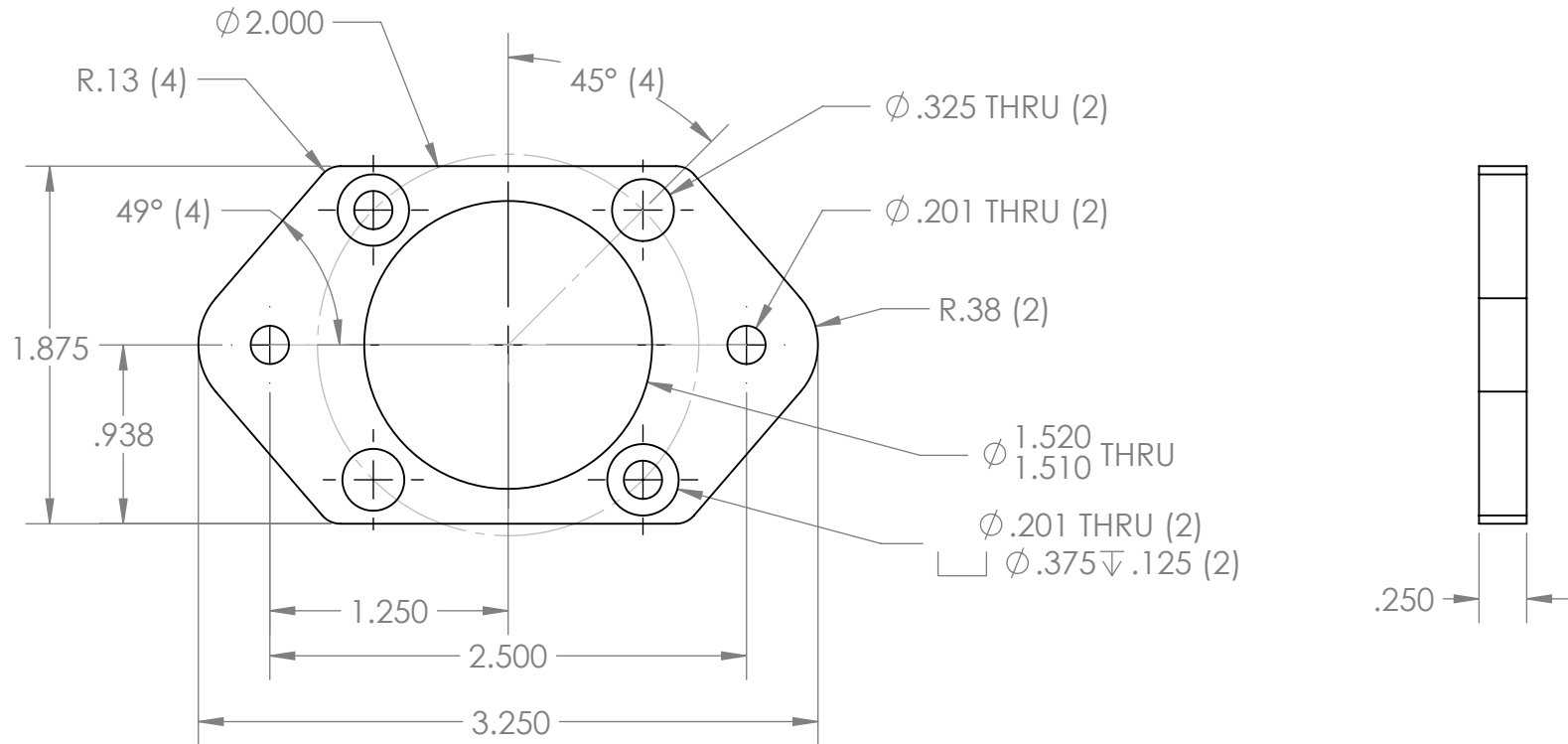
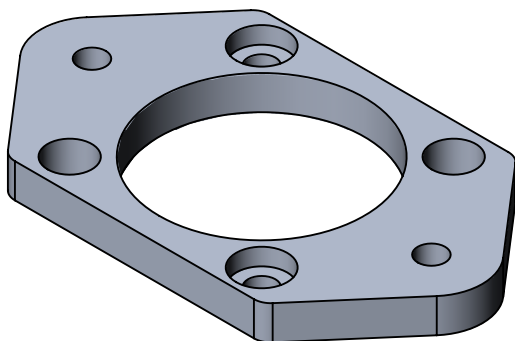


REVISION HISTORY			
REV.	DESCRIPTION	DATE	DRAWN BY
1	ORIGINAL PRINT	10/3/2019	N. LAWRENCE



*** SEE CAD FOR ADDITIONAL TOOLPATH INFO***



UNLESS OTHERWISE SPECIFIED:		COMMENTS:				
DIMENSIONS ARE IN INCHES		DUAL DIMENSIONS ARE IN MILLIMETERS.				
TOLERANCES:		BREAK ALL SHARP EDGES.		TITLE:		
FRACTIONAL	±1/16			57 SPORT		
ANGULAR: MACH	±1°			FLANGE MOUNT		
ANGULAR: BEND	±5°			SIZE		
ONE PLACE DECIMAL	±0.1			A	am-4132	REV
TWO PLACE DECIMAL	±0.01					1
THREE PLACE DECIMAL	±0.005			SCALE: 1:1		
FOUR PLACE DECIMAL	±0.0005			SHEET 1 OF 1		
MATERIAL	6061-T6 AL	CHECKED	NAME	DATE		
FINISH	DEBURRED	ENG APPR.	KK	10/3/19		
DO NOT SCALE DRAWING		MFG APPR.				
		Q.A.				