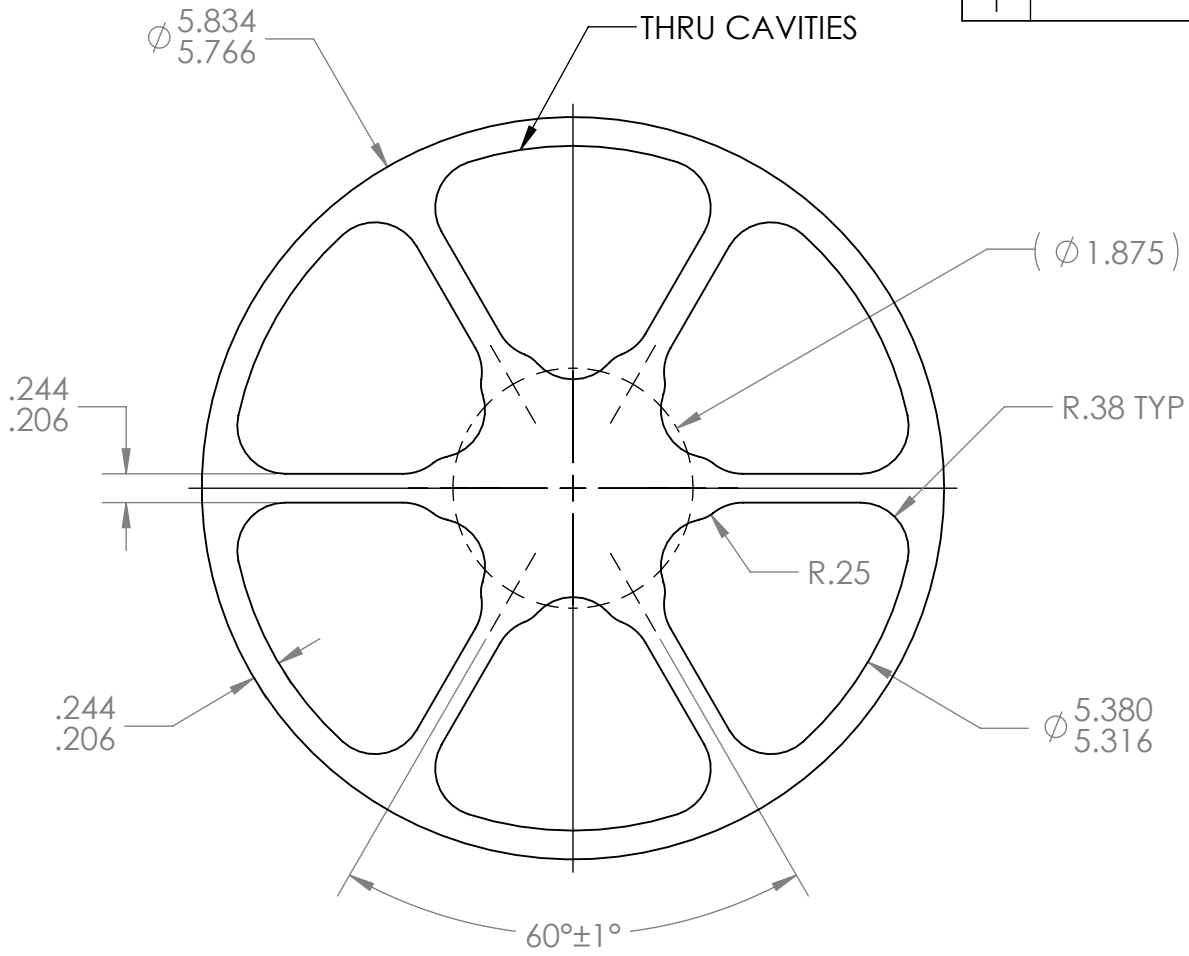



REVISION HISTORY			
REV.	DESCRIPTION	DATE	DRAWN BY
1	ORIGINAL PRINT	10/29/2019	N. LAWRENCE



*** SEE CAD FOR ADDITIONAL TOOLPATH INFO***

UNLESS OTHERWISE SPECIFIED:		COMMENTS:					
DIMENSIONS ARE IN INCHES		DUAL DIMENSIONS ARE IN MILLIMETERS.					
TOLERANCES: FRACTIONAL ±1/16 ANGULAR: MACH ±1° ANGULAR: BEND ±5° ONE PLACE DECIMAL ±0.1 TWO PLACE DECIMAL ±0.01 THREE PLACE DECIMAL ±0.005 FOUR PLACE DECIMAL ±0.0005		BREAK ALL SHARP EDGES.		TITLE: 6IN PERFORMANCE WHEEL EXTRUSION, 1FT			
MATERIAL	6061-T6 AL	CHECKED	NAME	DATE	SIZE	DWG. NO.	REV
FINISH	SAW CUT	ENG APPR.			A	am-3868-1	1
DO NOT SCALE DRAWING		MFG APPR.			SCALE: 1:1.5		SHEET 1 OF 1
		Q.A.					