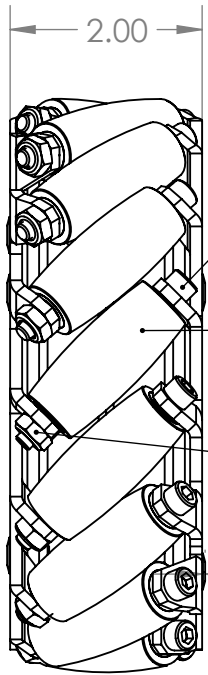
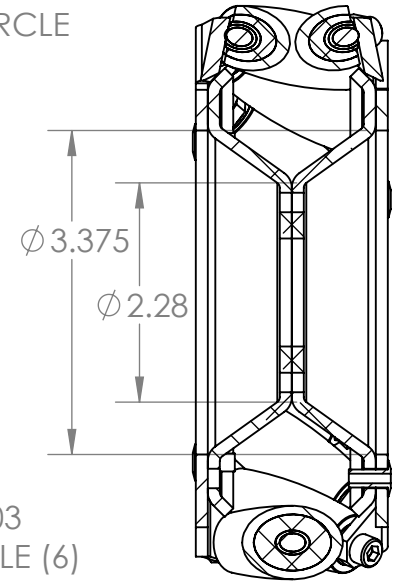
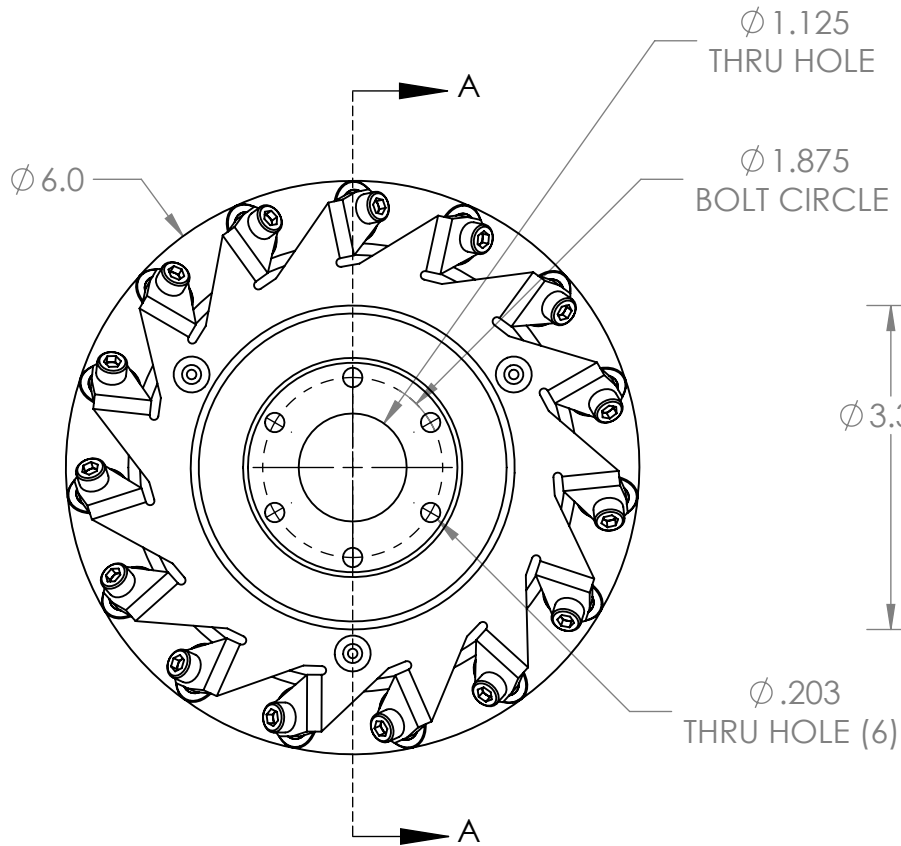


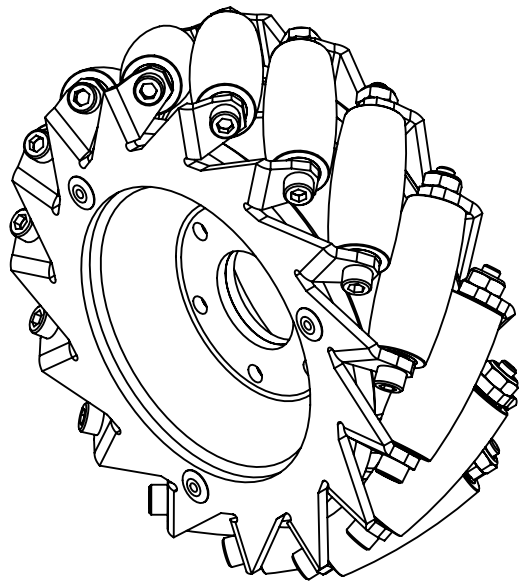
REVISION HISTORY			
REV.	DESCRIPTION	DATE	DRAWN BY
1	ORIGINAL PRINT	11/01/2017	AB



- am-1156  
#10-32 x 2-1/4" SHCS
- am-3479\_roller  
6" SR Mecanum Roller  
Single Axle
- am-1063  
10-32 Nylock Jam Nut
- .05 CLEARANCE FOR  
am-1226 3/16" Steel Rivet



SECTION A-A



\*\*\* SEE CAD FOR ADDITIONAL TOOLPATH INFO\*\*\*

UNLESS OTHERWISE SPECIFIED:		COMMENTS:	
<b>DIMENSIONS ARE IN INCHES</b>		DUAL DIMENSIONS ARE IN MILLIMETERS.	
TOLERANCES:		BREAK ALL SHARP EDGES.	
FRACTIONAL	$\pm 1/16$		
ANGULAR: MACH	$\pm 1^\circ$		
ANGULAR: BEND	$\pm 5^\circ$		
ONE PLACE DECIMAL	$\pm 0.1$		
TWO PLACE DECIMAL	$\pm 0.01$		
THREE PLACE DECIMAL	$\pm 0.005$		
FOUR PLACE DECIMAL	$\pm 0.0005$		
MATERIAL		NAME	DATE
FINISH		CHECKED	NM 11/10/17
		ENG APPR.	
		MFG APPR.	
DO NOT SCALE DRAWING		Q.A.	



TITLE:  
6" SR Mecanum  
Right

SIZE	DWG. NO.	REV
<b>A</b>	am-3479R	1
SCALE: 1:2		SHEET 1 OF 1