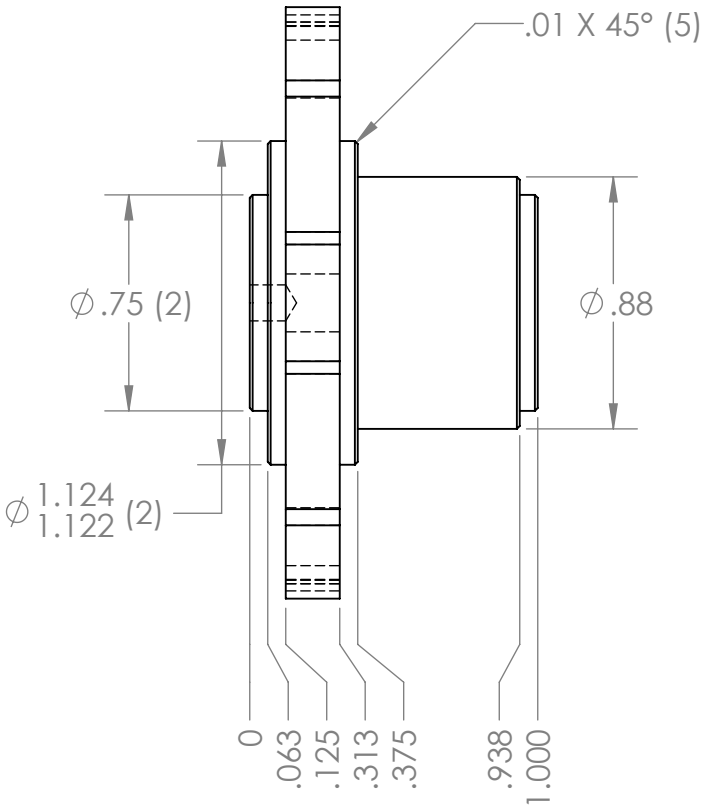
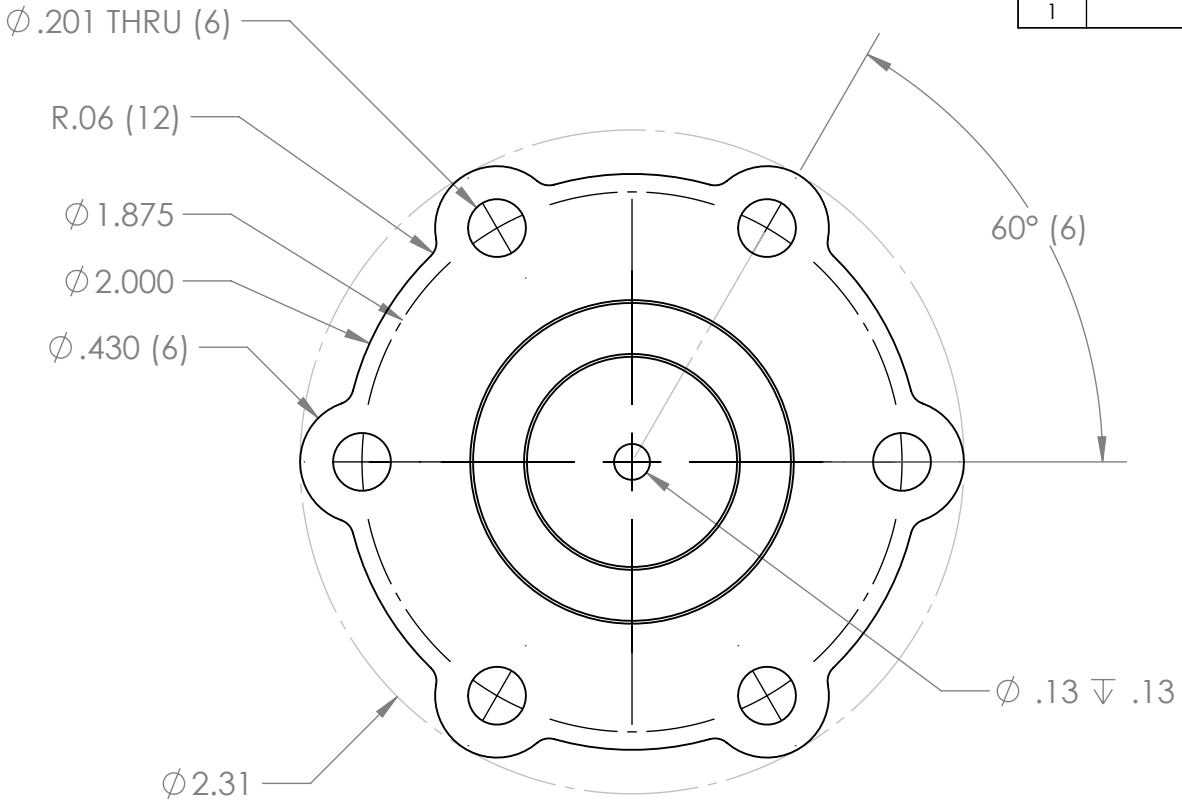
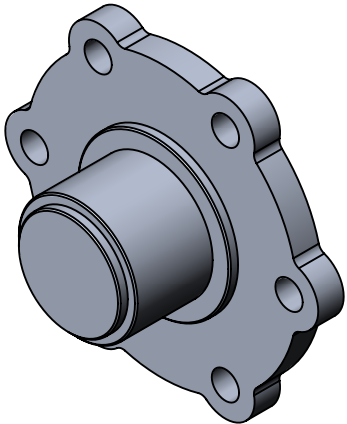



REVISION HISTORY			
REV.	DESCRIPTION	DATE	DRAWN BY
1	ORIGINAL PRINT	6/19/2019	N. LAWRENCE



\*\*\* SEE CAD FOR ADDITIONAL TOOLPATH INFO\*\*\*



UNLESS OTHERWISE SPECIFIED:		COMMENTS:				
<b>DIMENSIONS ARE IN INCHES</b>		DUAL DIMENSIONS ARE IN MILLIMETERS.				
TOLERANCES:		BREAK ALL SHARP EDGES.		TITLE:		
FRACTIONAL	$\pm 1/16$			BLANK HUB		
ANGULAR: MACH	$\pm 1^\circ$					
ANGULAR: BEND	$\pm 5^\circ$			SIZE	DWG. NO.	REV
ONE PLACE DECIMAL	$\pm 0.1$	CHECKED	NAME	<b>A</b>	am-4118	1
TWO PLACE DECIMAL	$\pm 0.01$	ENG APPR.	DATE	SCALE: 1.5:1 SHEET 1 OF 1		
THREE PLACE DECIMAL	$\pm 0.005$	MFG APPR.				
FOUR PLACE DECIMAL	$\pm 0.0005$	Q.A.				
MATERIAL	7075-T6 AL					
FINISH	DEBURRED					
DO NOT SCALE DRAWING						