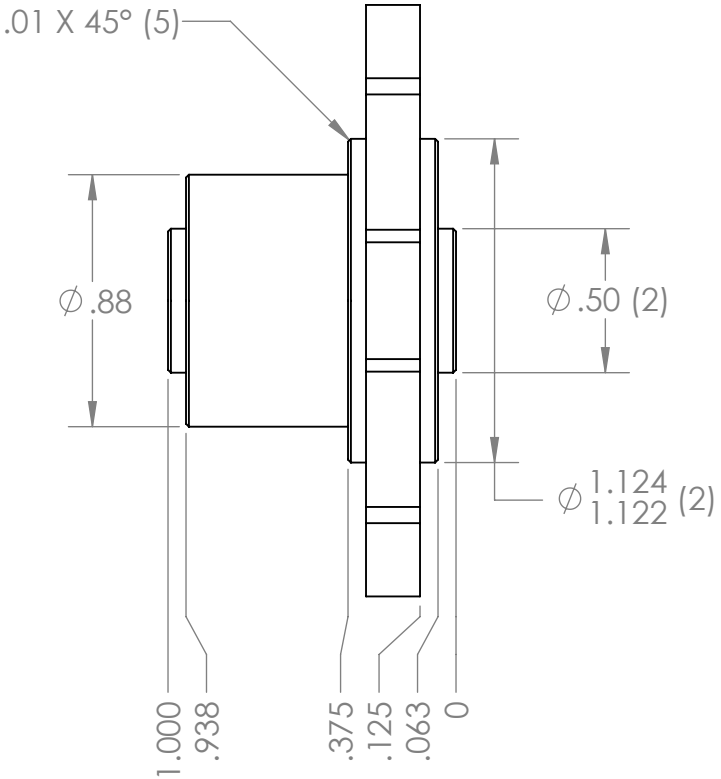
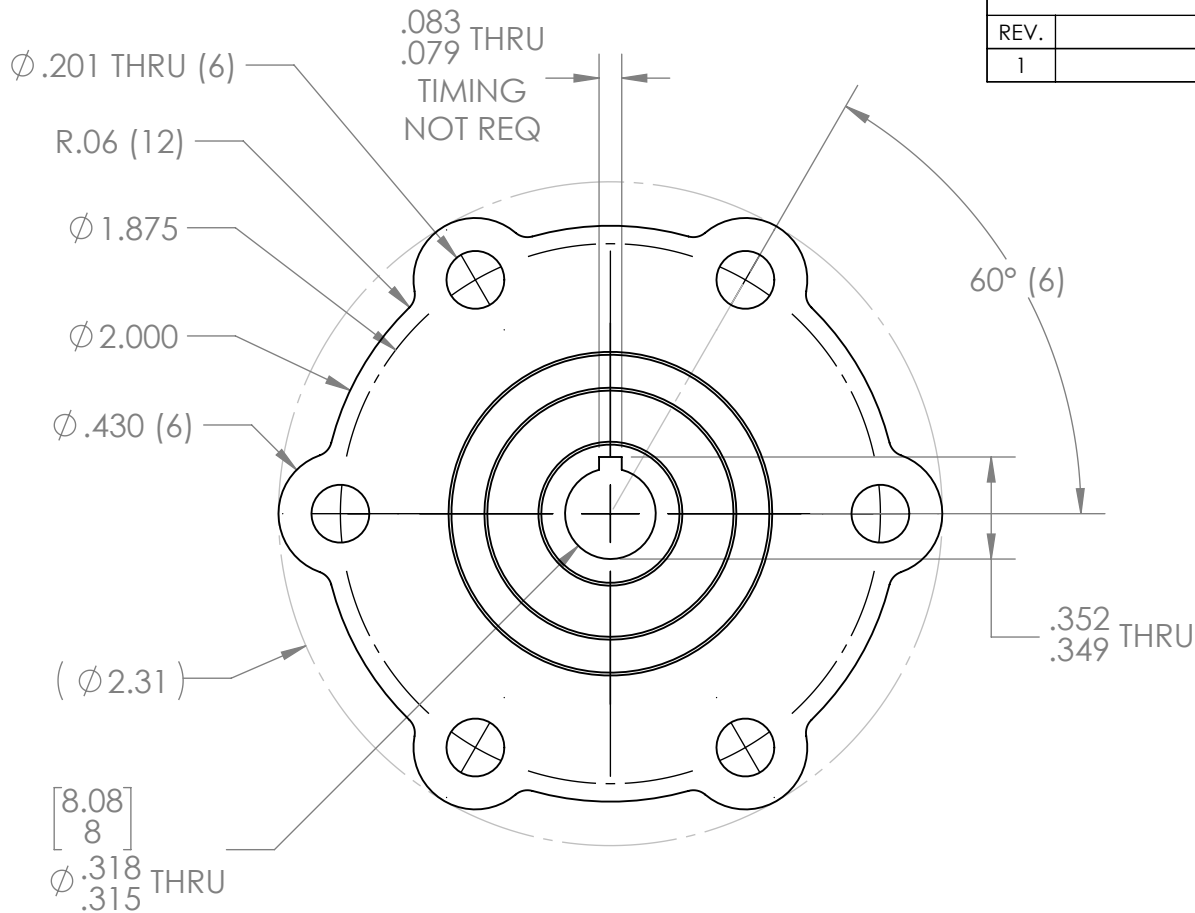
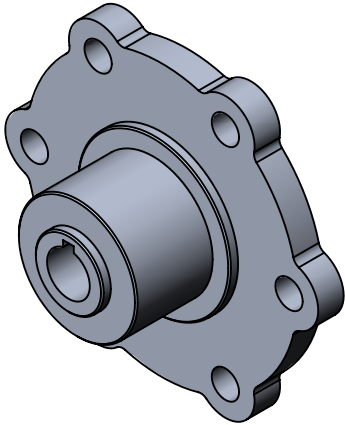


REVISION HISTORY			
REV.	DESCRIPTION	DATE	DRAWN BY
1	ORIGINAL PRINT	6/19/2019	N. LAWRENCE



*** SEE CAD FOR ADDITIONAL TOOLPATH INFO***



UNLESS OTHERWISE SPECIFIED:		COMMENTS:	
DIMENSIONS ARE IN INCHES		DUAL DIMENSIONS ARE IN MILLIMETERS.	
TOLERANCES:		BREAK ALL SHARP EDGES.	
FRACTIONAL	±1/16		
ANGULAR: MACH	±1°		
ANGULAR: BEND	±5°		
ONE PLACE DECIMAL	±0.1		
TWO PLACE DECIMAL	±0.01		
THREE PLACE DECIMAL	±0.005		
FOUR PLACE DECIMAL	±0.0005		
MATERIAL	7075-T6 AL	NAME	DATE
FINISH	DEBURRED	CHECKED	KK 6/21/19
DO NOT SCALE DRAWING		ENG APPR.	
		MFG APPR.	
		Q.A.	



TITLE:			
8mm KEY HUB			
SIZE	DWG. NO.	REV	
A	am-4119	1	
SCALE: 1.5:1		SHEET 1 OF 1	