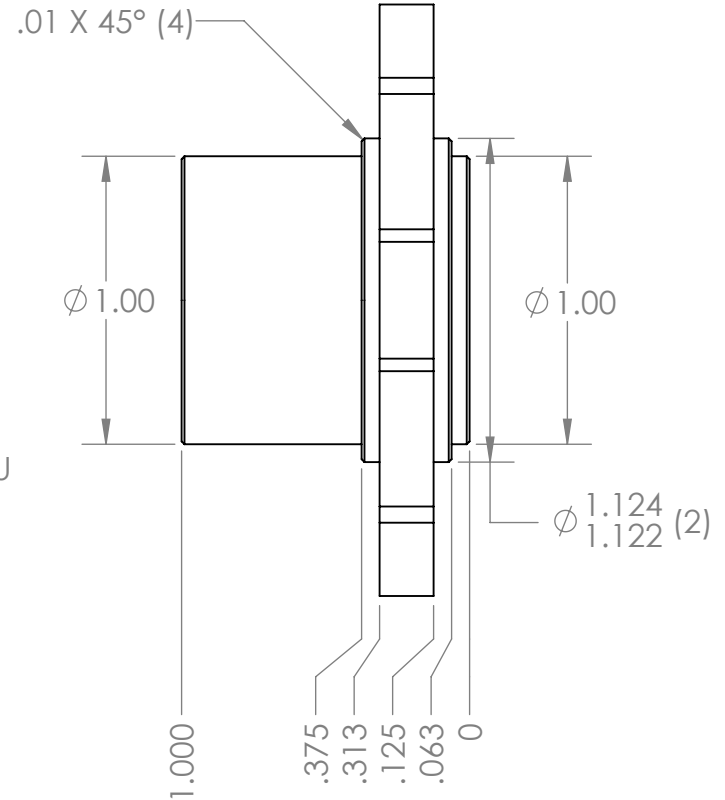
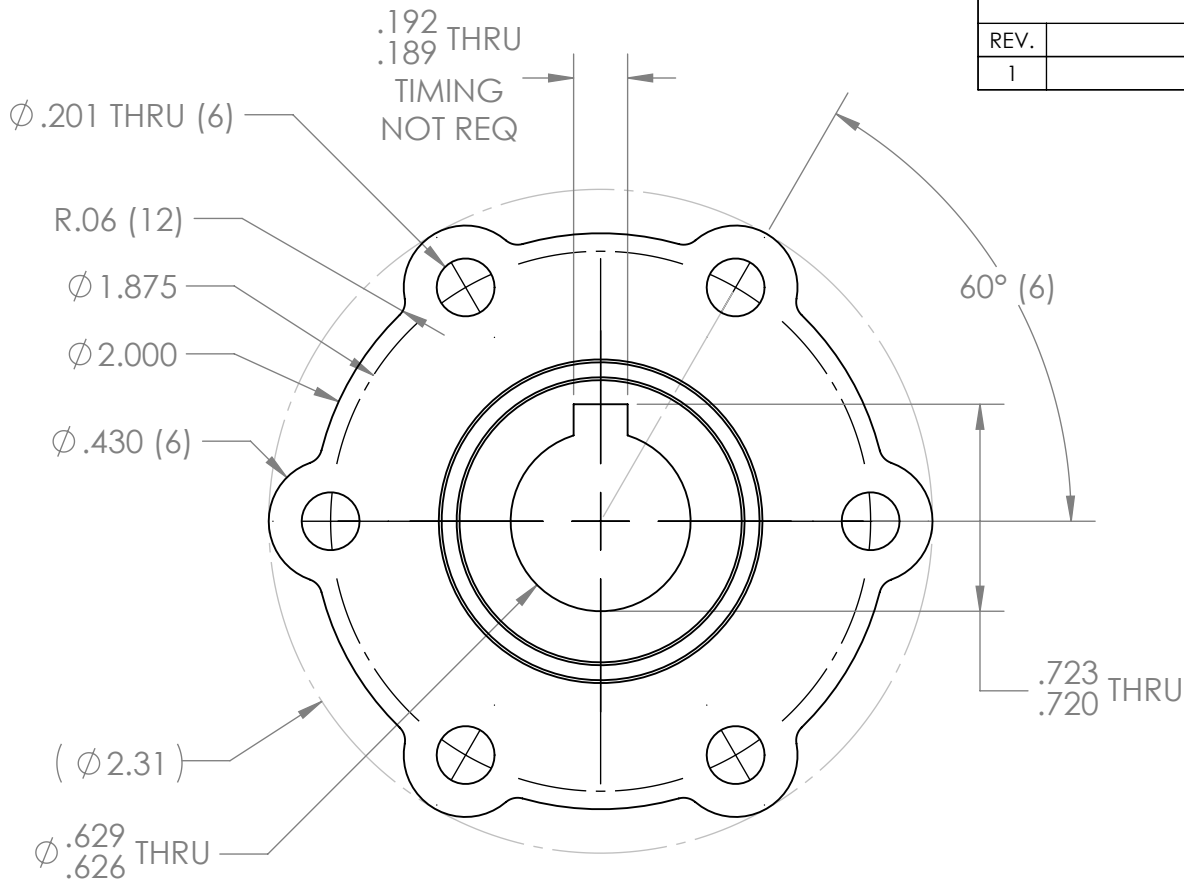
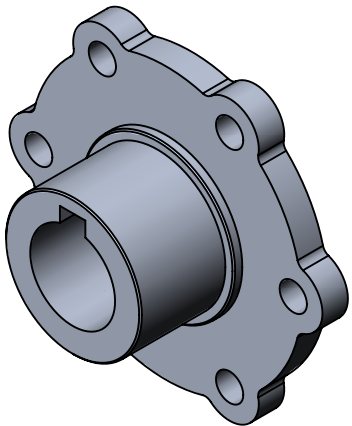



REVISION HISTORY			
REV.	DESCRIPTION	DATE	DRAWN BY
1	ORIGINAL PRINT	6/19/2019	N. LAWRENCE



\*\*\* SEE CAD FOR ADDITIONAL TOOLPATH INFO\*\*\*



UNLESS OTHERWISE SPECIFIED:		COMMENTS:				
<b>DIMENSIONS ARE IN INCHES</b>		DUAL DIMENSIONS ARE IN MILLIMETERS.				
TOLERANCES:		BREAK ALL SHARP EDGES.		TITLE:		
FRACTIONAL	±1/16			625IN KEY HUB		
ANGULAR: MACH	±1°			SIZE	DWG. NO.	REV
ANGULAR: BEND	±5°			<b>A</b>	am-4122	1
ONE PLACE DECIMAL	±0.1			SCALE: 1.5:1 SHEET 1 OF 1		
TWO PLACE DECIMAL	±0.01					
THREE PLACE DECIMAL	±0.005					
FOUR PLACE DECIMAL	±0.0005					
MATERIAL	7075-T6 AL	CHECKED	NAME	DATE		
FINISH	DEBURRED	ENG APPR.	KK	6/21/19		
DO NOT SCALE DRAWING		MFG APPR.				
		Q.A.				