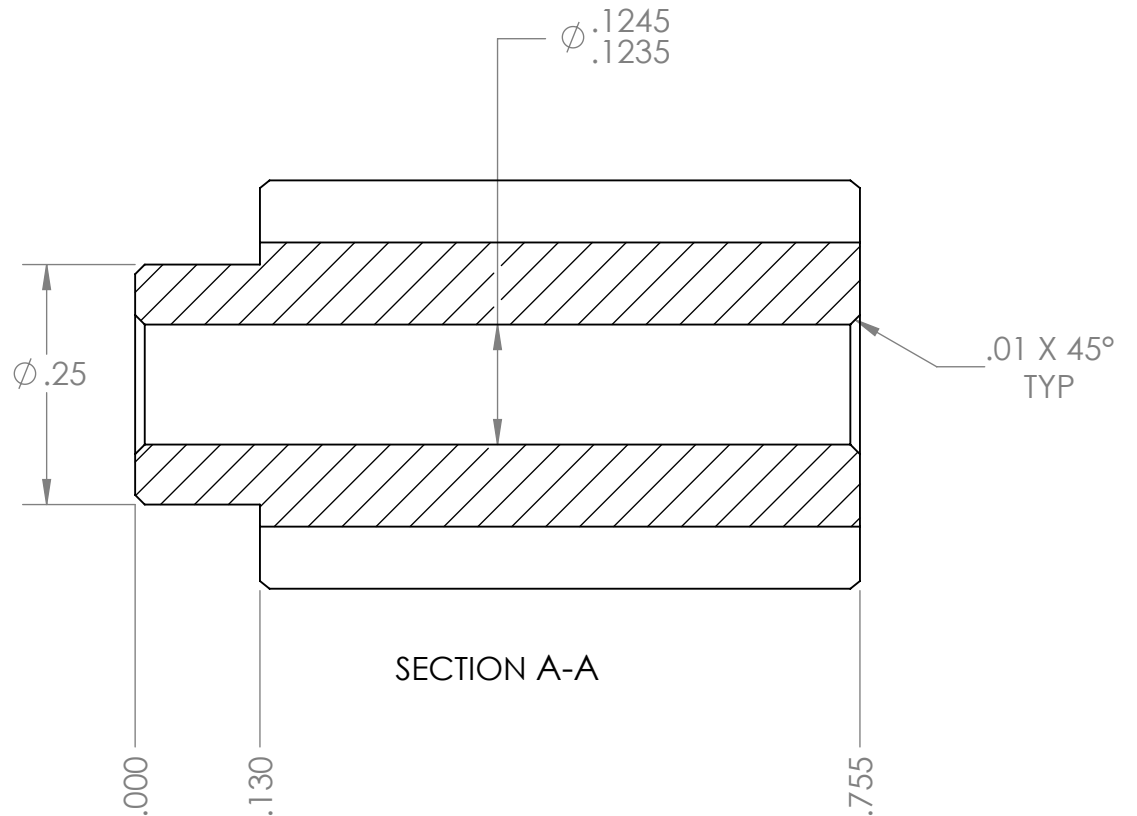
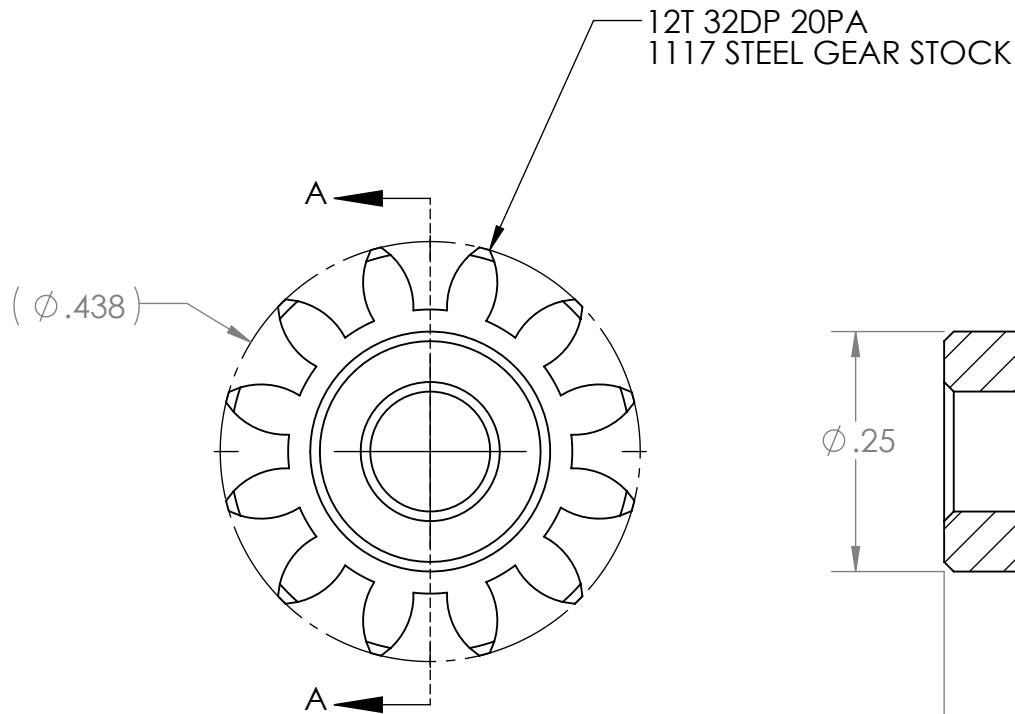
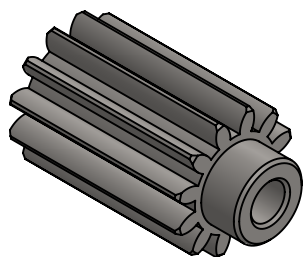



REVISION HISTORY			
REV.	DESCRIPTION	DATE	DRAWN BY
1	ORIGINAL PRINT	1/18/2019	N.MASSOUDA



*** SEE CAD FOR ADDITIONAL TOOLPATH INFO***



UNLESS OTHERWISE SPECIFIED:		COMMENTS:				
DIMENSIONS ARE IN INCHES		DUAL DIMENSIONS ARE IN MILLIMETERS.				
TOLERANCES:		BREAK ALL SHARP EDGES		TITLE:		
FRACTIONAL	$\pm 1/16$			12 Tooth 32 DP		
ANGULAR: MACH	$\pm 1^\circ$			125 Bore Gear		
ANGULAR: BEND	$\pm 5^\circ$			SIZE		
ONE PLACE DECIMAL	± 0.1			DWG. NO.		
TWO PLACE DECIMAL	± 0.01			A am-4032		
THREE PLACE DECIMAL	± 0.005			REV		
FOUR PLACE DECIMAL	± 0.0005			1		
MATERIAL	1117 STEEL	CHECKED	NAME	DATE	SCALE: 5:1	
FINISH	ZINC PLATED	ENG APPR.			WEIGHT:	
DO NOT SCALE DRAWING		MFG APPR.			SHEET 1 OF 1	
		Q.A.				