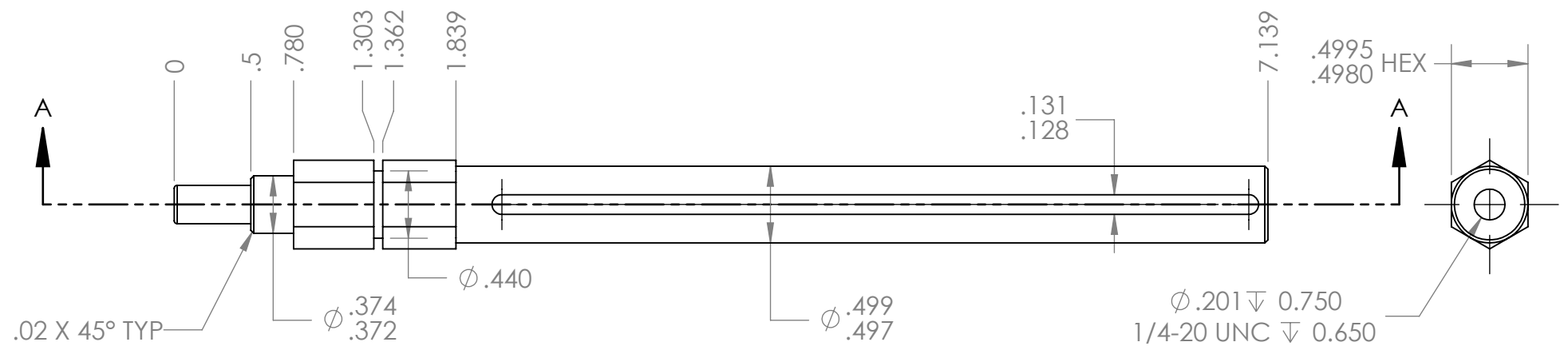
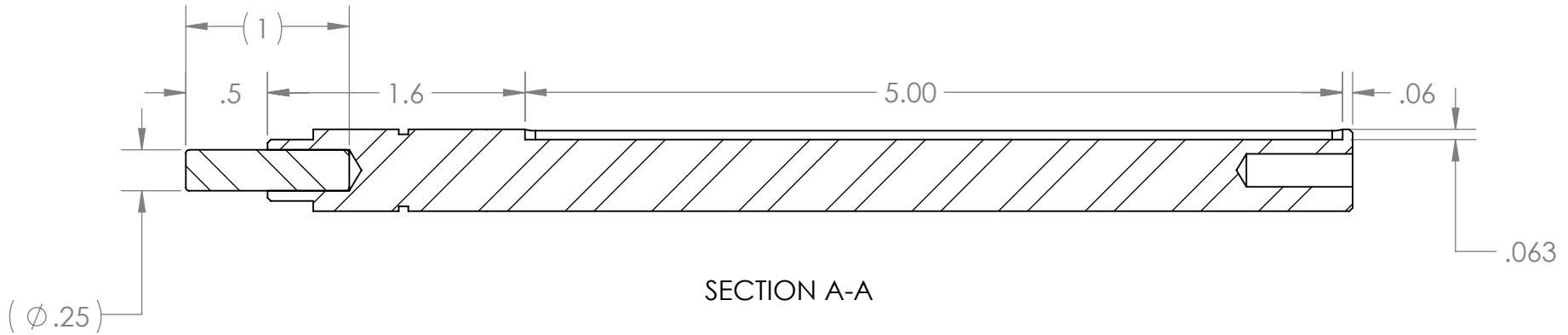



REVISION HISTORY			
REV.	DESCRIPTION	DATE	DRAWN BY
1	ORIGINAL PRINT	05/30/2017	K. STAHLCKER
2	UPDATED FEATURE SIZES AND TOLERANCES	02/15/2018	C. THEISS
3	CORRECT KEYWAY DIMENSIONS, UPDATED TO AMDS-1	11/18/2019	K. KOLODZIEJ



*** SEE CAD FOR ADDITIONAL TOOLPATH INFO***



UNLESS OTHERWISE SPECIFIED:		COMMENTS:			
DIMENSIONS ARE IN INCHES		DUAL DIMENSIONS ARE IN MILLIMETERS.			
TOLERANCES:		BREAK ALL SHARP EDGES		TITLE:	
FRACTIONAL	±1/16			LONG 1/2" KEYED	
ANGULAR: MACH	±1°			STEEL OUTPUT SHAFT	
ANGULAR: BEND	±5°			SIZE	
ONE PLACE DECIMAL	±0.1			DWG. NO.	
TWO PLACE DECIMAL	±0.01			A am-0211a	
THREE PLACE DECIMAL	±0.005			REV	
FOUR PLACE DECIMAL	±0.0005			3	
MATERIAL	4140 STEEL	NAME	DATE	SCALE: 1:1	
FINISH	ZINC PLATED	CHECKED	NL	WEIGHT:	
		ENG APPR.		SHEET 1 OF 1	
		MFG APPR.			
		Q.A.			