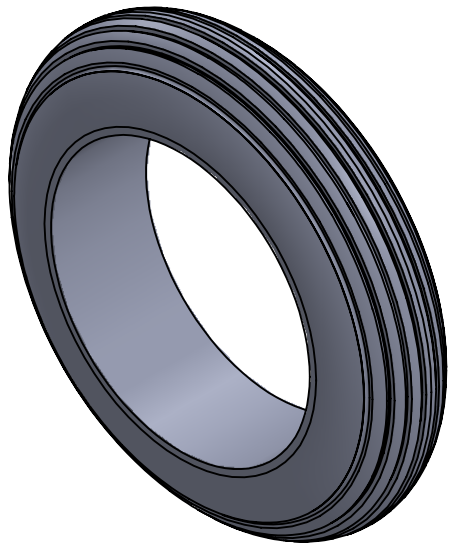
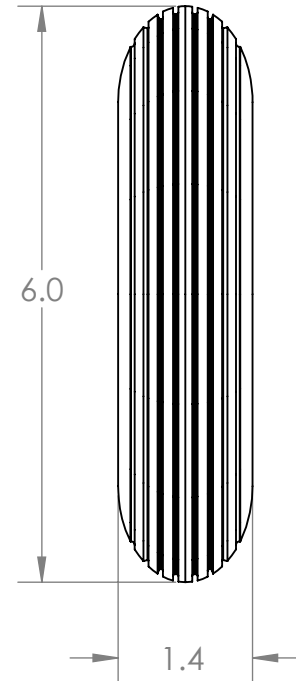
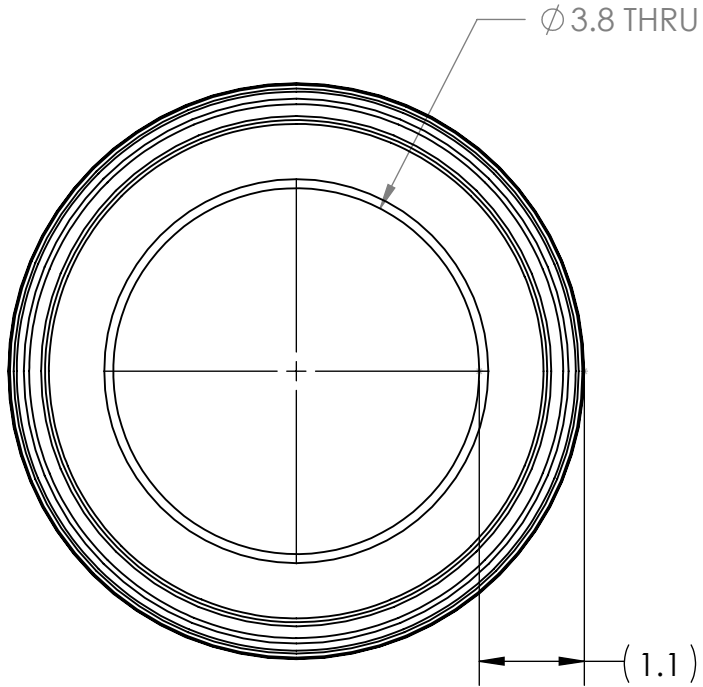



REVISION HISTORY			
REV.	DESCRIPTION	DATE	DRAWN BY
1	ORIGINAL PRINT	11/27/2019	K. KOLODZIEJ



\*\*\* SEE CAD FOR ADDITIONAL TOOLPATH INFO\*\*\*

UNLESS OTHERWISE SPECIFIED:		COMMENTS:					
<b>DIMENSIONS ARE IN INCHES</b>		DUAL DIMENSIONS ARE IN MILLIMETERS.					
TOLERANCES:		BREAK ALL SHARP EDGES.		TITLE:			
FRACTIONAL	±1/16			6IN PNEUMATIC TIRE			
ANGULAR: MACH	±1°						
ANGULAR: BEND	±5°						
ONE PLACE DECIMAL	±0.1						
TWO PLACE DECIMAL	±0.01						
THREE PLACE DECIMAL	±0.005						
FOUR PLACE DECIMAL	±0.0005						
MATERIAL	RUBBER WITH NYLON CORDS	CHECKED	NAME	DATE	SIZE	DWG. NO.	REV
FINISH	DEBURRED	ENG APPR.	NL	12/2/19	<b>A</b>	am-2474	1
DO NOT SCALE DRAWING		MFG APPR.			SCALE: 1:2		SHEET 1 OF 1
		Q.A.					