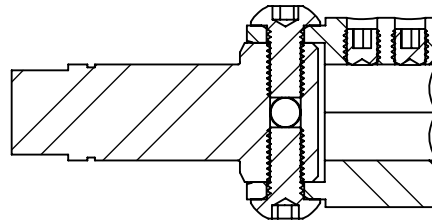
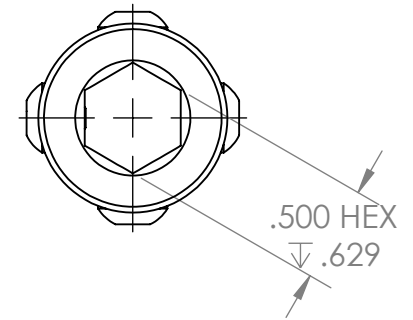
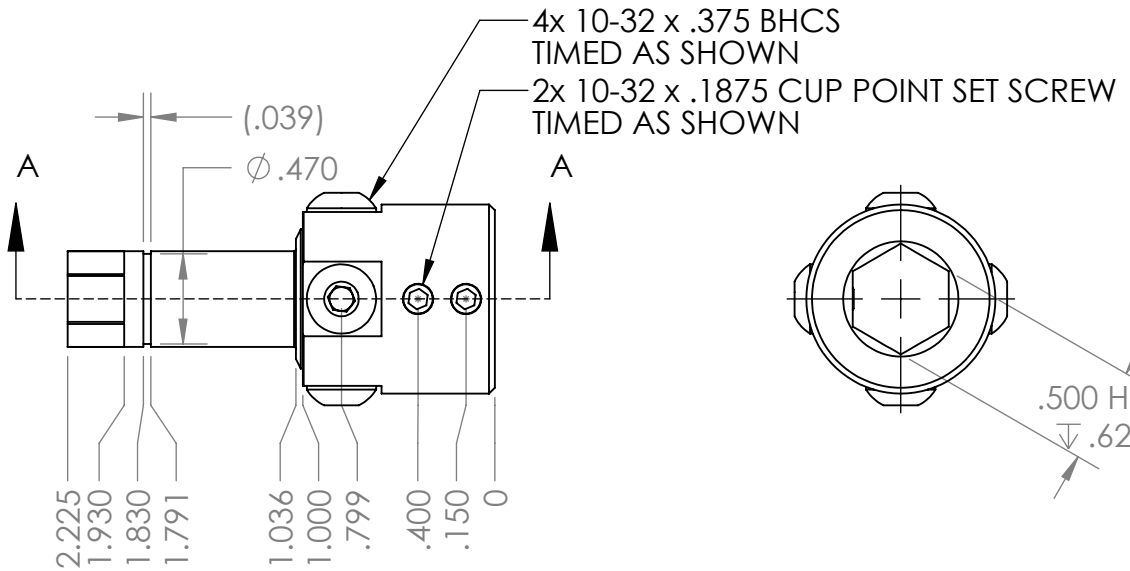
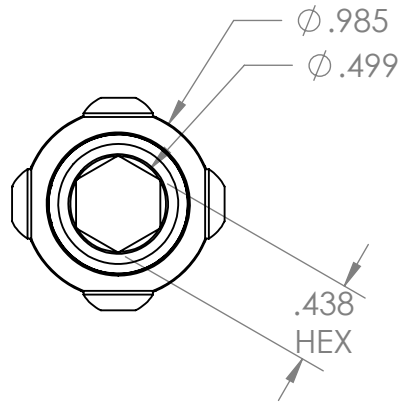
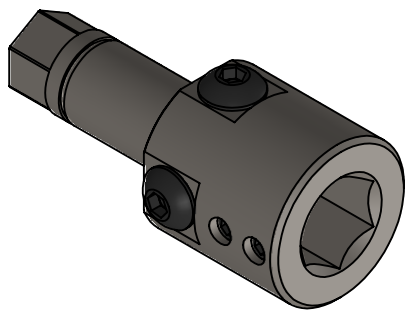


| REVISION HISTORY |                |            |              |
|------------------|----------------|------------|--------------|
| REV.             | DESCRIPTION    | DATE       | DRAWN BY     |
| 1                | ORIGINAL PRINT | 12/02/2019 | K. KOLODZIEJ |



SECTION A-A

\*\*\* SEE CAD FOR ADDITIONAL TOOLPATH INFO\*\*\*



|                                 |               |                                     |      |                      |          |              |
|---------------------------------|---------------|-------------------------------------|------|----------------------|----------|--------------|
| UNLESS OTHERWISE SPECIFIED:     |               | COMMENTS:                           |      |                      |          |              |
| <b>DIMENSIONS ARE IN INCHES</b> |               | DUAL DIMENSIONS ARE IN MILLIMETERS. |      |                      |          |              |
| TOLERANCES:                     |               | BREAK ALL SHARP EDGES.              |      | TITLE:               |          |              |
| FRACTIONAL                      | $\pm 1/16$    |                                     |      | SPORT GEARBOX 1/2 IN |          |              |
| ANGULAR: MACH                   | $\pm 1^\circ$ |                                     |      | HEX FEMALE           |          |              |
| ANGULAR: BEND                   | $\pm 5^\circ$ |                                     |      | OUTPUT ADAPTER       |          |              |
| ONE PLACE DECIMAL               | $\pm 0.1$     |                                     |      | SIZE                 | DWG. NO. | REV          |
| TWO PLACE DECIMAL               | $\pm 0.01$    |                                     |      | <b>A</b>             | am-3795  | 1            |
| THREE PLACE DECIMAL             | $\pm 0.005$   |                                     |      |                      |          |              |
| FOUR PLACE DECIMAL              | $\pm 0.0005$  |                                     |      | SCALE: 1:1           |          | SHEET 1 OF 1 |
| MATERIAL                        | 303 SS        | CHECKED                             | NAME | DATE                 |          |              |
| FINISH                          | DEBURRED      | ENG APPR.                           | NL   | 12/2/19              |          |              |
| DO NOT SCALE DRAWING            |               | MFG APPR.                           |      |                      |          |              |
|                                 |               | Q.A.                                |      |                      |          |              |