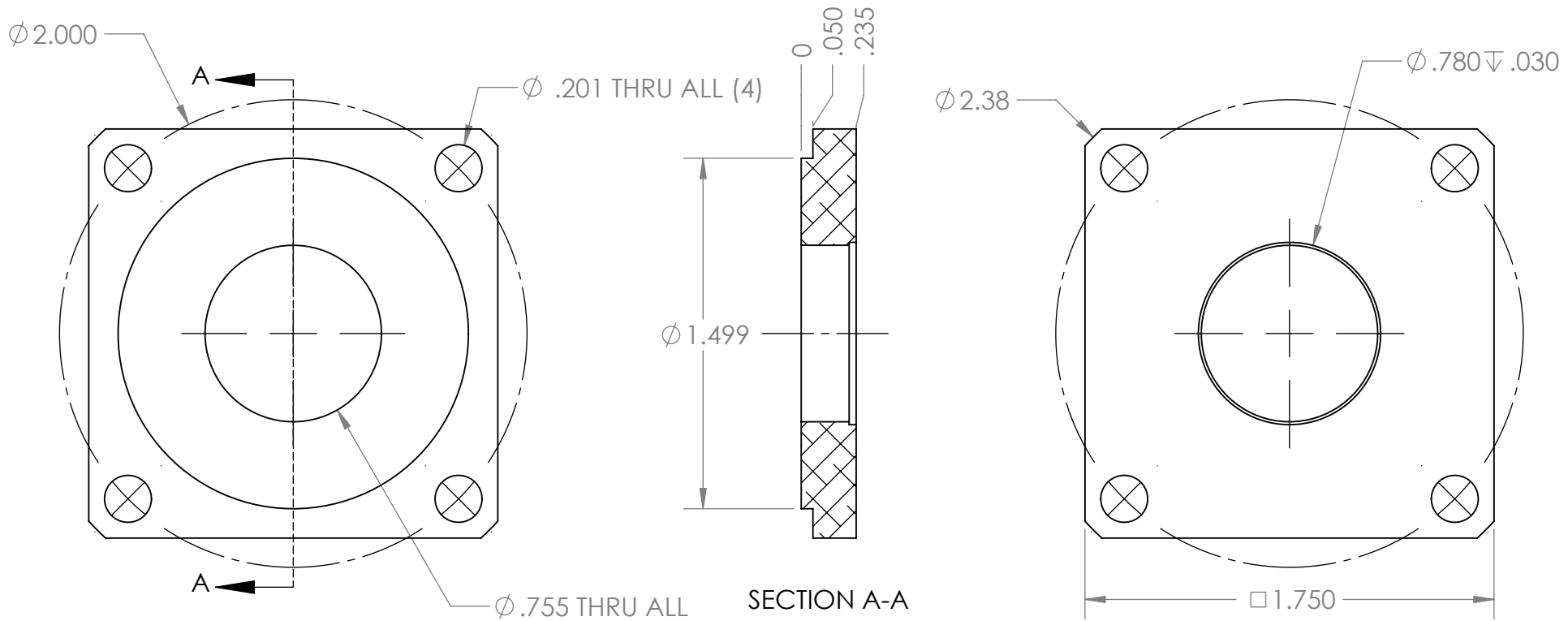
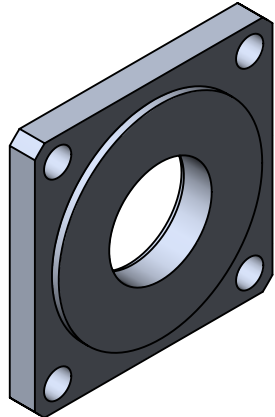



REVISION HISTORY			
REV.	DESCRIPTION	DATE	DRAWN BY
1	ORIGINAL PRINT	12/4/2019	N. LAWRENCE



\*\*\* SEE CAD FOR ADDITIONAL TOOLPATH INFO\*\*\*



UNLESS OTHERWISE SPECIFIED:		COMMENTS:				
<b>DIMENSIONS ARE IN INCHES</b>		DUAL DIMENSIONS ARE IN MILLIMETERS.				
TOLERANCES:		BREAK ALL SHARP EDGES.		TITLE:		
FRACTIONAL	$\pm 1/16$			CIM AND FALCON SPORT		
ANGULAR: MACH	$\pm 1^\circ$			MOTOR BLOCK SHORT		
ANGULAR: BEND	$\pm 5^\circ$					
ONE PLACE DECIMAL	$\pm 0.1$			SIZE	DWG. NO.	REV
TWO PLACE DECIMAL	$\pm 0.01$			<b>A</b>	<b>am-3769a</b>	<b>1</b>
THREE PLACE DECIMAL	$\pm 0.005$			SCALE: 1.5:1 SHEET 1 OF 1		
FOUR PLACE DECIMAL	$\pm 0.0005$					
MATERIAL	6061-T6 AL	CHECKED	NAME	DATE		
FINISH	TUMBLED	ENG APPR.	KK	12/4/19		
DO NOT SCALE DRAWING		MFG APPR.				
		Q.A.				