

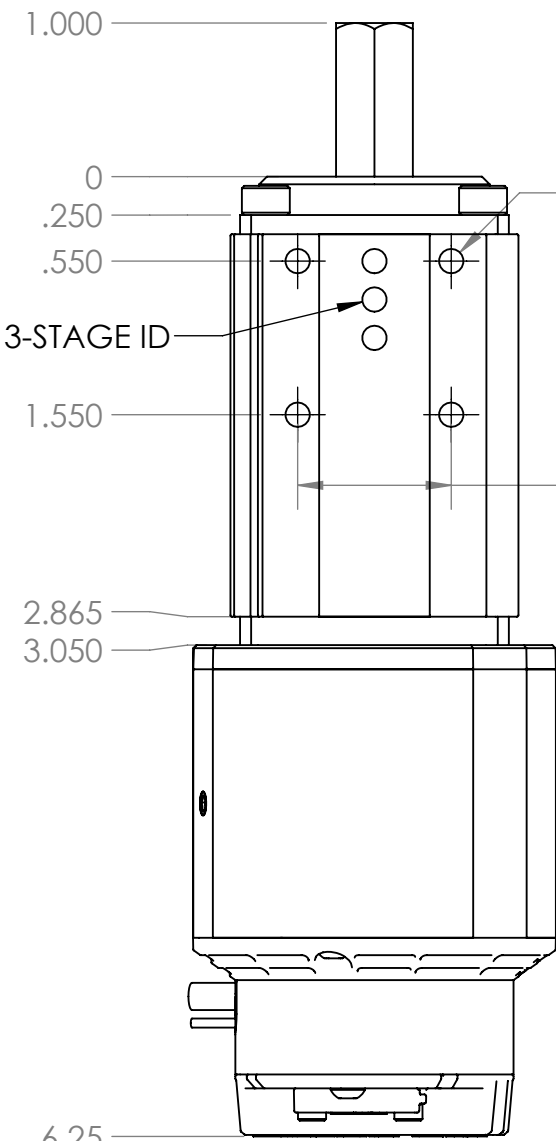
4

3

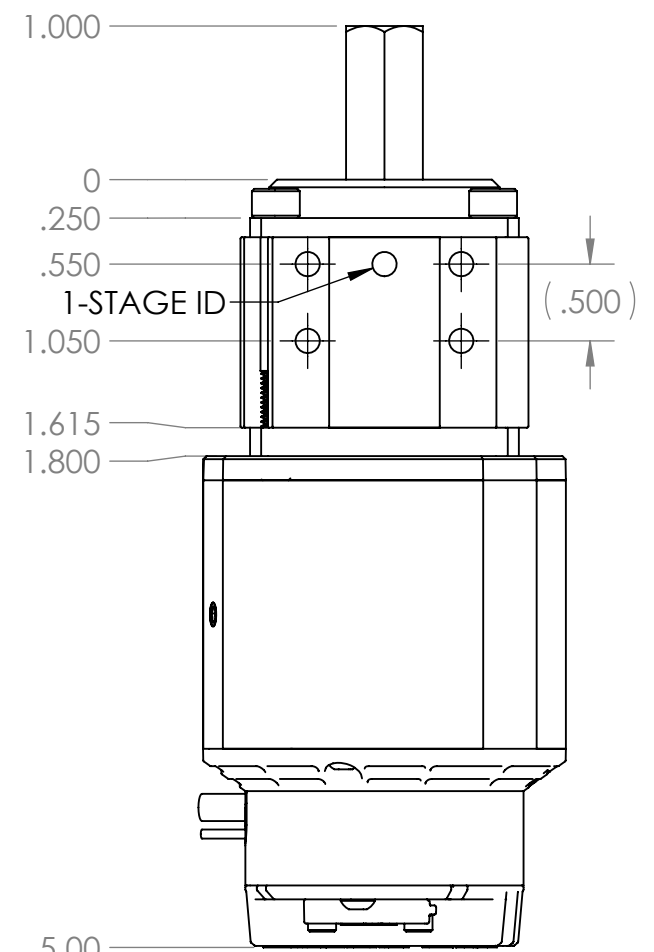
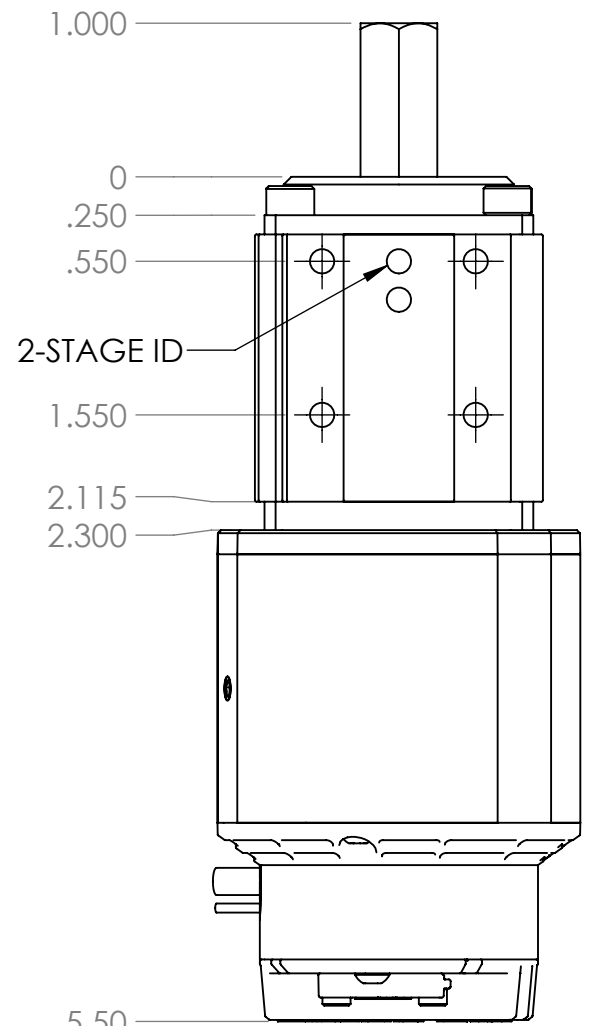
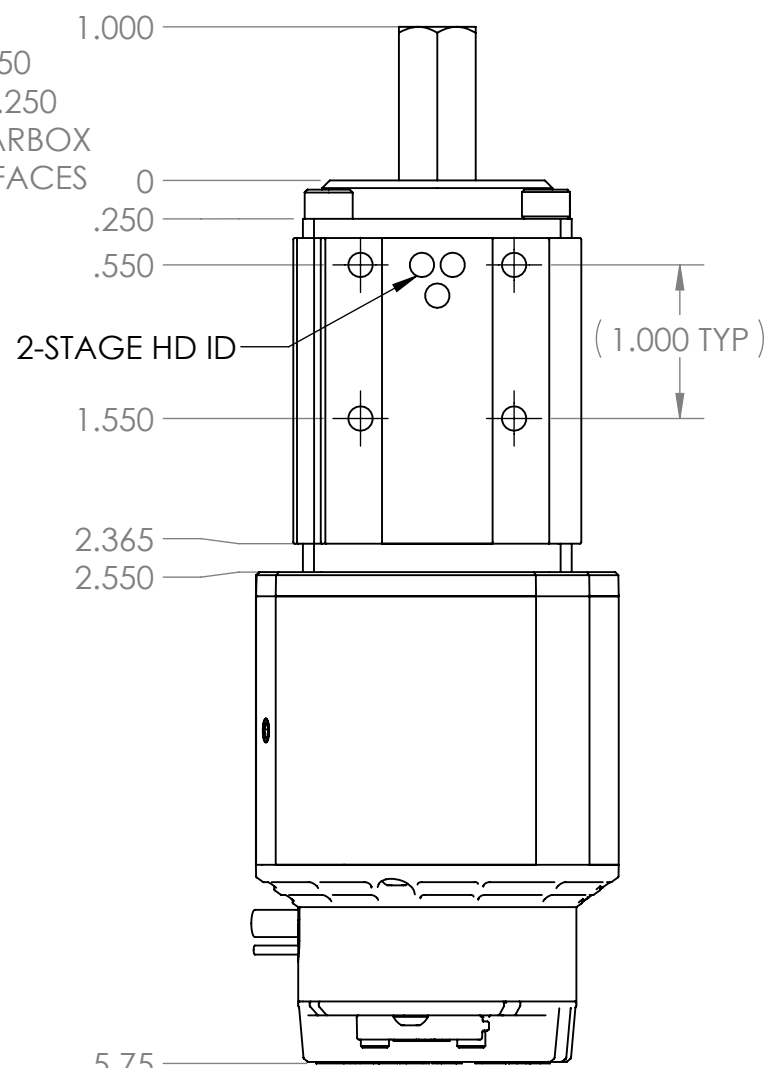
2

1

REVISION HISTORY			
REV.	DESCRIPTION	DATE	DRAWN BY
1	ORIGINAL PRINT	12/4/2019	N. MASSOUDA



$\phi .159 \nabla .250$
 10-32 UNF $\nabla .250$
 8 HOLES PER GEARBOX
 ON OPPOSING FACES

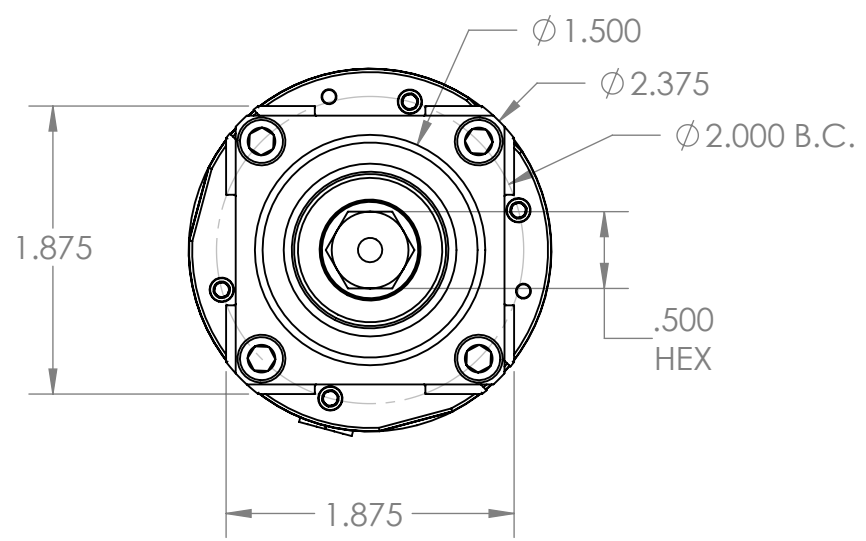
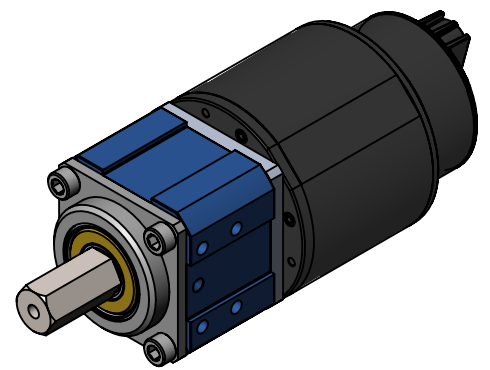


- RATIOS**
 36:1 HD - (am-4184_036)
 48:1 HD - (am-4184_048)
 64:1 HD - (am-4184_064)
 80:1 HD - (am-4184_080)
 100:1 HD - (am-4184_100)

- RATIOS**
 12:1 HD - (am-4184_012)
 16:1 HD - (am-4184_016)
 20:1 HD - (am-4184_020)

- RATIOS**
 12:1 - (am-4183_012)
 16:1 - (am-4183_016)
 20:1 - (am-4183_020)

- RATIOS**
 4:1 - (am-4183_004)



UNLESS OTHERWISE SPECIFIED:		COMMENTS:			
DIMENSIONS ARE IN INCHES		DUAL DIMENSIONS ARE IN MILLIMETERS.			
TOLERANCES:		BREAK ALL SHARP EDGES.		TITLE:	
FRACTIONAL	$\pm 1/16$			FALCON SPORT	
ANGULAR: MACH	$\pm 1^\circ$			SERIES	
ANGULAR: BEND	$\pm 5^\circ$			SIZE	DWG. NO.
ONE PLACE DECIMAL	± 0.1	CHECKED	NAME	DATE	REV
TWO PLACE DECIMAL	± 0.01	ENG APPR.			1
THREE PLACE DECIMAL	± 0.005	MFG APPR.			
FOUR PLACE DECIMAL	± 0.0005	Q.A.			
MATERIAL					
FINISH					
DO NOT SCALE DRAWING					

4

3

2

1

A

A

B

B