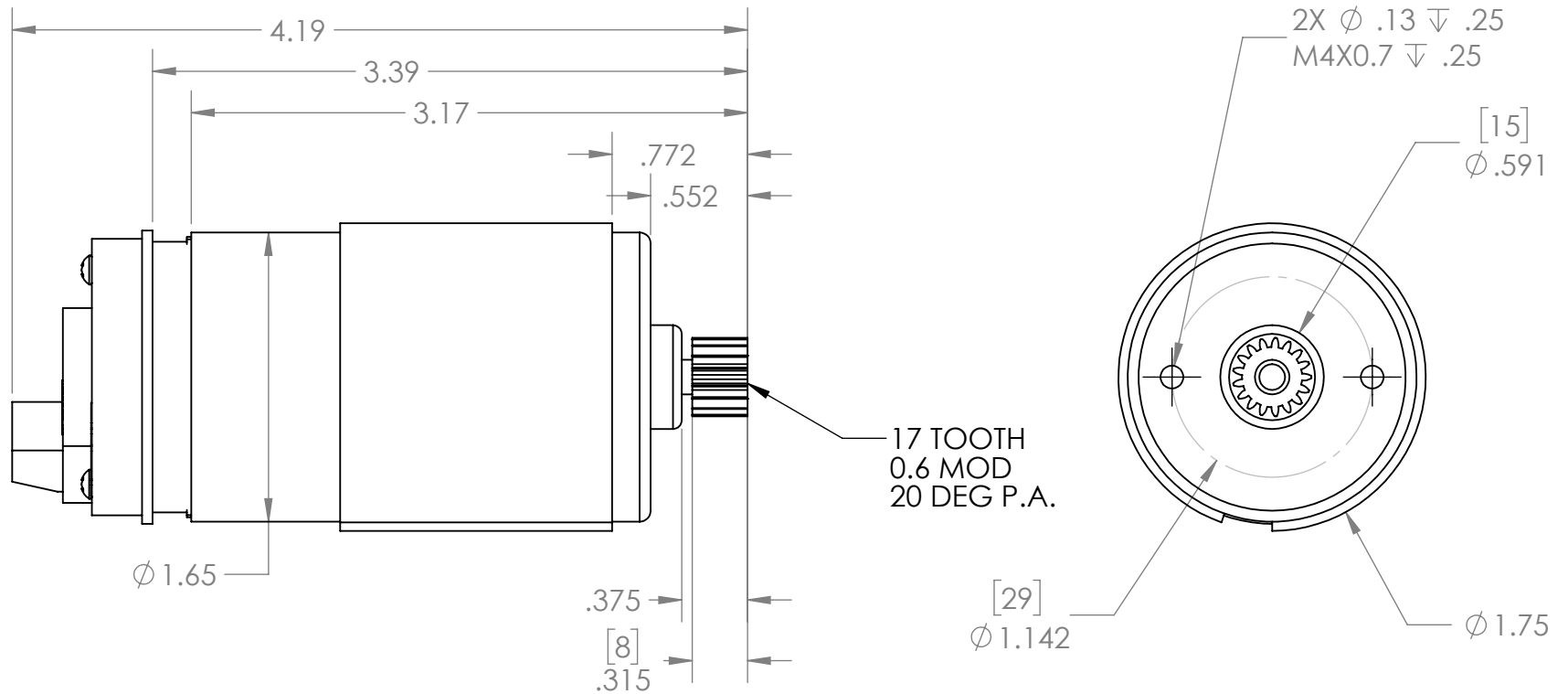
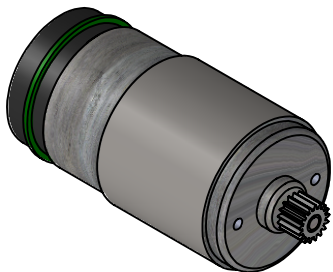


REVISION HISTORY			
REV.	DESCRIPTION	DATE	DRAWN BY
1	ORIGINAL PRINT	01/02/2020	K. KOLODZIEJ



*** SEE CAD FOR ADDITIONAL TOOLPATH INFO***



UNLESS OTHERWISE SPECIFIED:		COMMENTS:				
DIMENSIONS ARE IN INCHES		DUAL DIMENSIONS ARE IN MILLIMETERS.				
TOLERANCES:		BREAK ALL SHARP EDGES.		TITLE:		
FRACTIONAL	±1/16			RS775-5 MOTOR WITH		
ANGULAR: MACH	±1°			ENCODER FOR PG71		
ANGULAR: BEND	±5°			AND PG188 GEARBOX		
ONE PLACE DECIMAL	±0.1			SIZE	DWG. NO.	REV
TWO PLACE DECIMAL	±0.01			A	am-3108	1
THREE PLACE DECIMAL	±0.005			SCALE: 1:1		
FOUR PLACE DECIMAL	±0.0005			SHEET 1 OF 1		
MATERIAL		CHECKED	NAME	DATE		
		ENG APPR.	NL	1/2/2020		
FINISH		MFG APPR.				
		Q.A.				
DO NOT SCALE DRAWING						