





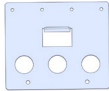
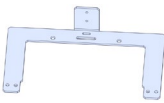


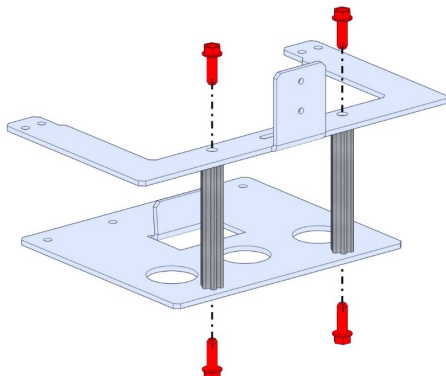


AM14U4 Battery Mount Installation

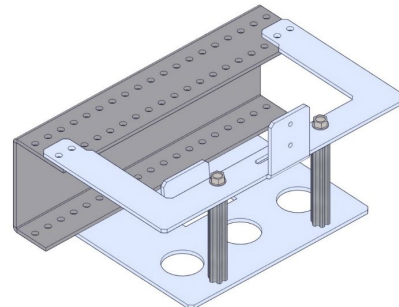
Robotics is a high-contact sport. It's important to keep your battery protected and secured during the match. AndyMark recommends using this vertical mount to securely hold the battery and conveniently mount your robot power connector.

Battery Tray Parts			
Component	Part Number	QTY	Part Photo
10-32 x 0.5 SHCS	am-1002	8	
10-32 x 1.5 SHCS	am-1014	2	
1/4-20 x 0.75" Thread Rolling Screw	am-1310	4	
10-32 Nylock Jam Nut	am-1063	10	
6-32 x 0.750 HHS	am-1424	2	
6-32 Nylock Jam Nut	am-1419	2	
500 Churro, 3.375"	am-2569	2	
Battery Strap	am-3965a	1	
Lower Strut Spacer	am-3876	2	
Battery Bottom Plate	am-3959	1	
Battery C-Plate	am-3958	1	
Battery Clamp	am-3960	1	

Step 1: Place two 3.375" Churros (am-2569) between the Bottom Plate (am-3959) and the C Plate (am-3958). Secure the Churros to the plate with four 1/4-20 x 0.750" Thread Forming Screws (am-1310). Make sure the tabs on both plates are pointing upwards.

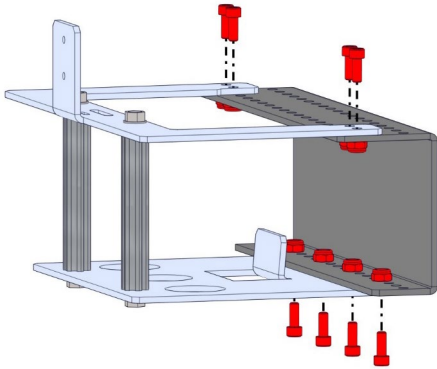


Step 2: Slide the assembly over the End Plate such that the Strap Clamp (am-3690) and Battery Strap (am-3965) are centered between the ends of the C Plate. The C Plate and Bottom Plate should be installed on the top and bottom of the flanges on the End Plate, respectively.

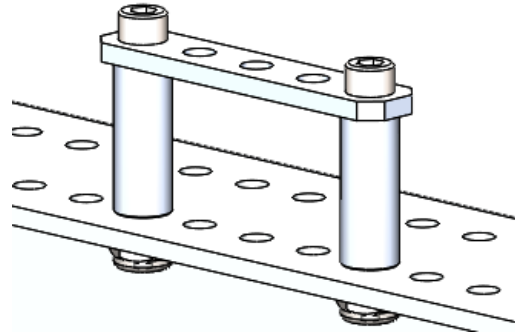


Note: The assembly may need to be slightly flexed to fit over the flanges on the End Plate.

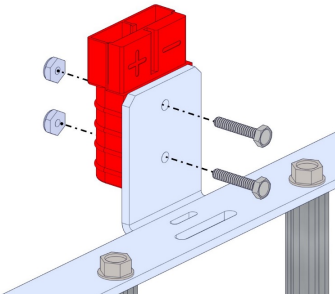
Step 3: Secure the assembly to the End Plate using eight #10-32 x 0.500" SHCS and #10-32 Nylock Jam Nuts.



Step 4: Attach the clamp to the end plate using two 10-32x1.5" SHCS, nuts, and spacers. The clamp should be centered with the assembly.

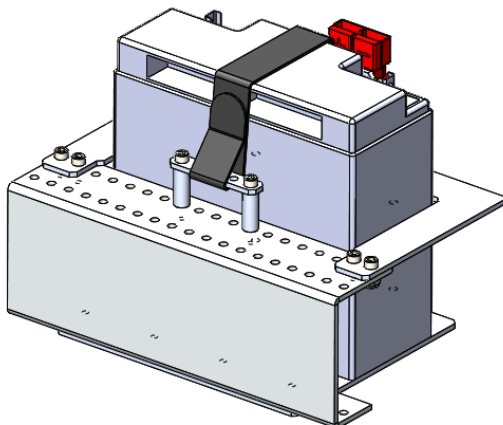


Step 5: Secure the Robot Side SB-Series Battery Connector to the tab on the C Plate using two #6-32 x 0.750" Hex Head Screws (am-1424) and #6-32 Nylock Jam Nuts (am-1419). The wires from this connector should go to your main robot breaker and power distribution panel.

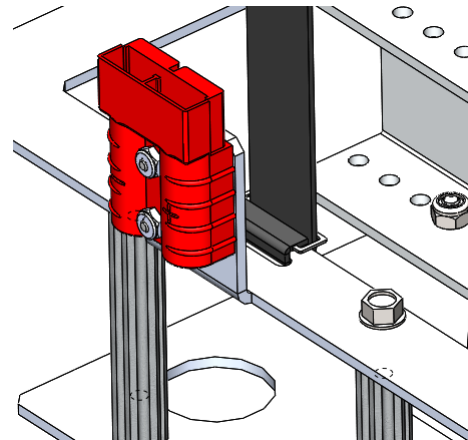


Note: The screws should be oriented such that the heads of the screws are on the Tab side.

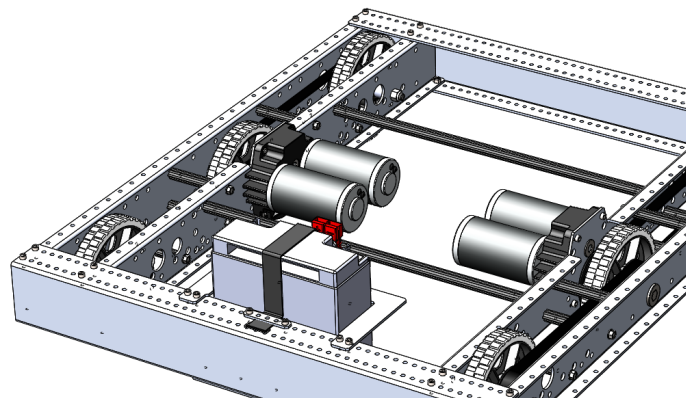
Step 7: Insert the Battery into the Battery Tray with leads facing upward and on the same side as the SB Connector. Pull the strap around the center of the battery and underneath the spacer and clamp assembly.



Step 6: Feed the battery strap through the top of the slot, loop around and through the buckle. This strap can be left permanently attached to this bracket.



Step 8: Plug the SB connector from the battery into the SB connector mounted to the tray. Secure with a cable tie around both connectors through the small slot in the C Plate to ensure the battery will stay connected during match play.



Note: Battery leads and connector not shown.