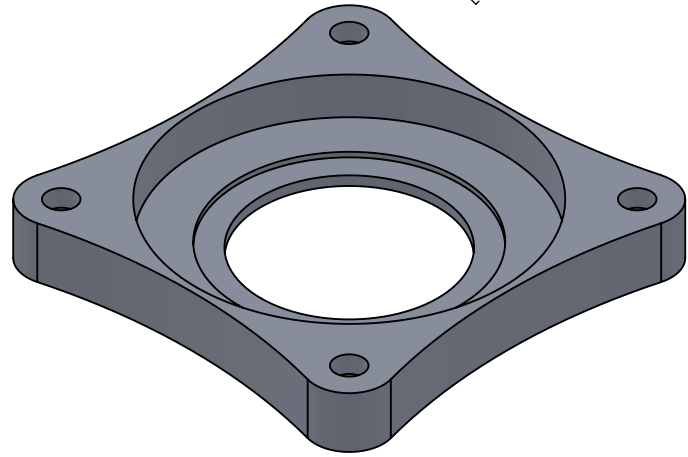
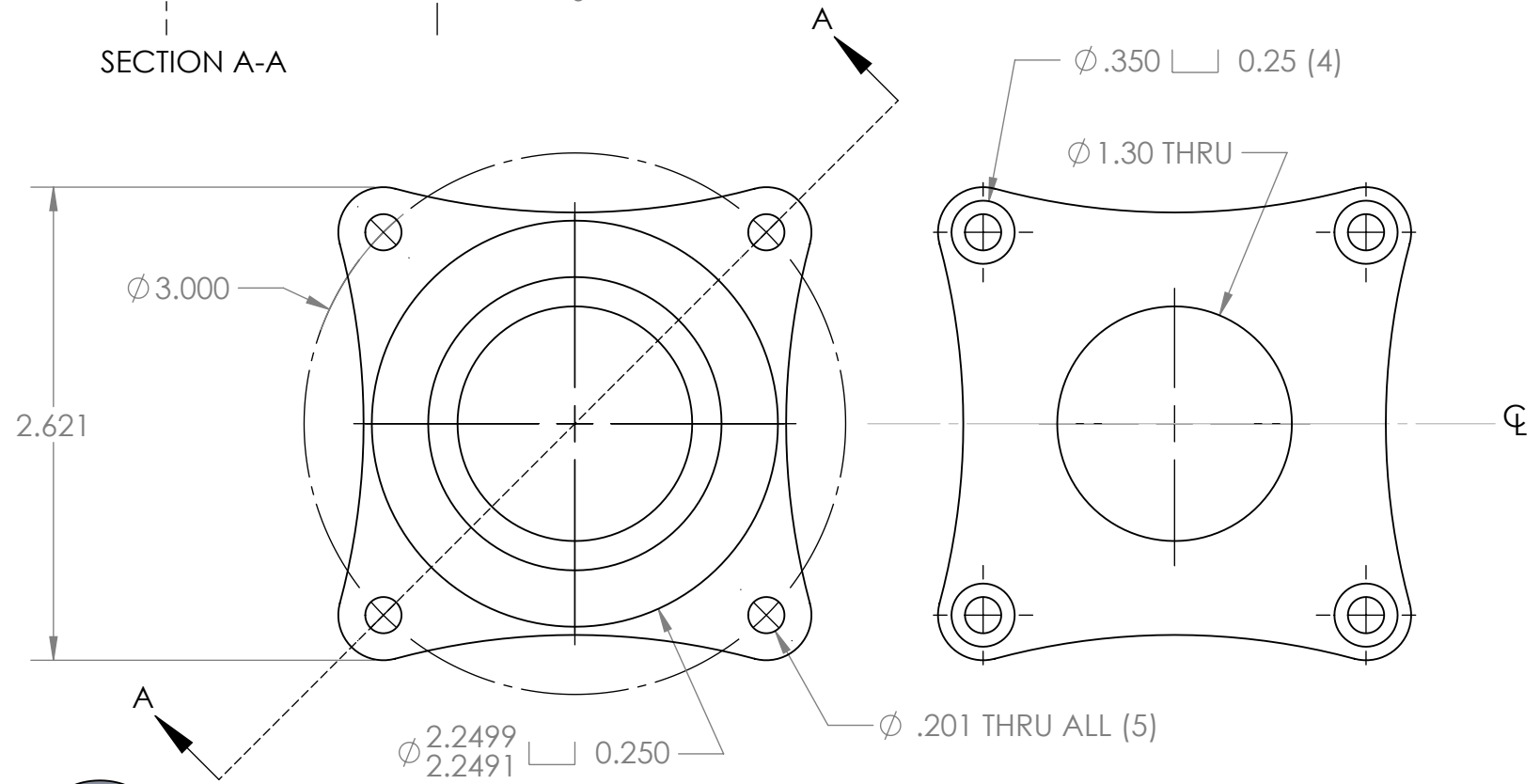


SECTION A-A

REVISION HISTORY			
REV.	DESCRIPTION	DATE	DRAWN BY
1	ORIGINAL PRINT	9/16/2014	A. BAKER
2	UPDATED TO AMDS-1	7/26/2018	A. MILLS
3	ADDED STEP FOR BEARING CLEARANCE	10/2/2018	N. MASSOUDA
4	CHANGED DEPTH OF POCKET, REMOVED 5TH HOLE	8/9/2019	N. MASSOUDA



*** SEE CAD FOR ADDITIONAL TOOLPATH INFO***

UNLESS OTHERWISE SPECIFIED:		COMMENTS:	
DIMENSIONS ARE IN INCHES		DUAL DIMENSIONS ARE IN MILLIMETERS.	
TOLERANCES:		BREAK ALL SHARP EDGES	
FRACTIONAL	±1/16		
ANGULAR: MACH	±1°		
ANGULAR: BEND	±5°		
ONE PLACE DECIMAL	±0.1		
TWO PLACE DECIMAL	±0.01		
THREE PLACE DECIMAL	±0.005		
FOUR PLACE DECIMAL	±0.0005		
MATERIAL	6061-T6 ALUMINUM	NAME	DATE
FINISH	TUMBLER	CHECKED	
		ENG APPR.	
		MFG APPR.	
	DO NOT SCALE DRAWING	Q.A.	



TITLE:
**SWERVE & STEER
BEARING PLATE**

SIZE	DWG. NO.	REV
A	am-3016b	4
SCALE: 1:1	WEIGHT:	SHEET 1 OF 1