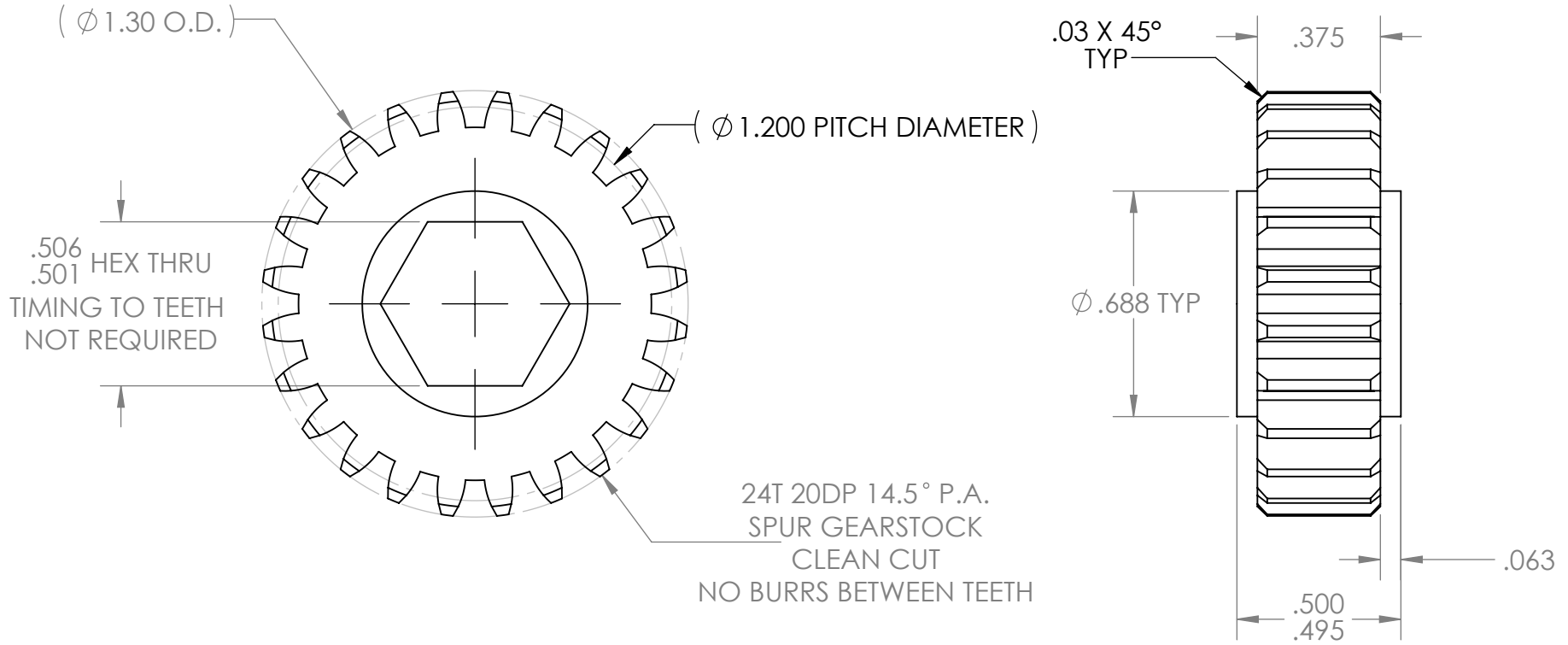
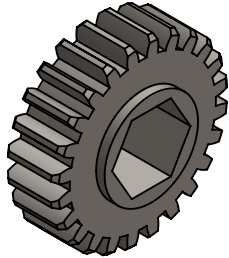



REVISION HISTORY			
REV.	DESCRIPTION	DATE	DRAWN BY
1	ORIGINAL PRINT	12/2/2019	N. MASSOUDA



\*\*\* SEE CAD FOR ADDITIONAL TOOLPATH INFO\*\*\*



UNLESS OTHERWISE SPECIFIED:		COMMENTS:		 TITLE: 24T 20DP 14.5PA 0.500IN HEX BORE GEAR			
<b>DIMENSIONS ARE IN INCHES</b>		DUAL DIMENSIONS ARE IN MILLIMETERS.					
TOLERANCES: FRACTIONAL $\pm 1/16$ ANGULAR: MACH $\pm 1^\circ$ ANGULAR: BEND $\pm 5^\circ$ ONE PLACE DECIMAL $\pm 0.1$ TWO PLACE DECIMAL $\pm 0.01$ THREE PLACE DECIMAL $\pm 0.005$ FOUR PLACE DECIMAL $\pm 0.0005$		BREAK ALL SHARP EDGES		SIZE			
MATERIAL 4140 STEEL		CHECKED	NAME NL	DATE 12/2/19	DWG. NO. <b>A</b> am-4214		REV 1
FINISH DEBURR & ZINC PLATE		ENG APPR.		MFG APPR.		SCALE: 2:1 WEIGHT:	
DO NOT SCALE DRAWING		Q.A.				SHEET 1 OF 1	