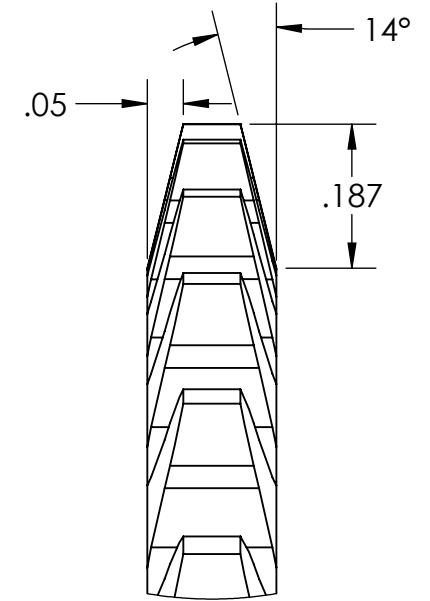
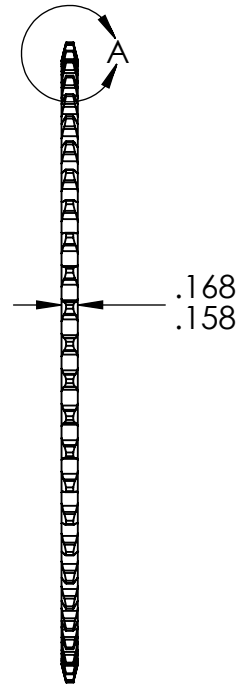
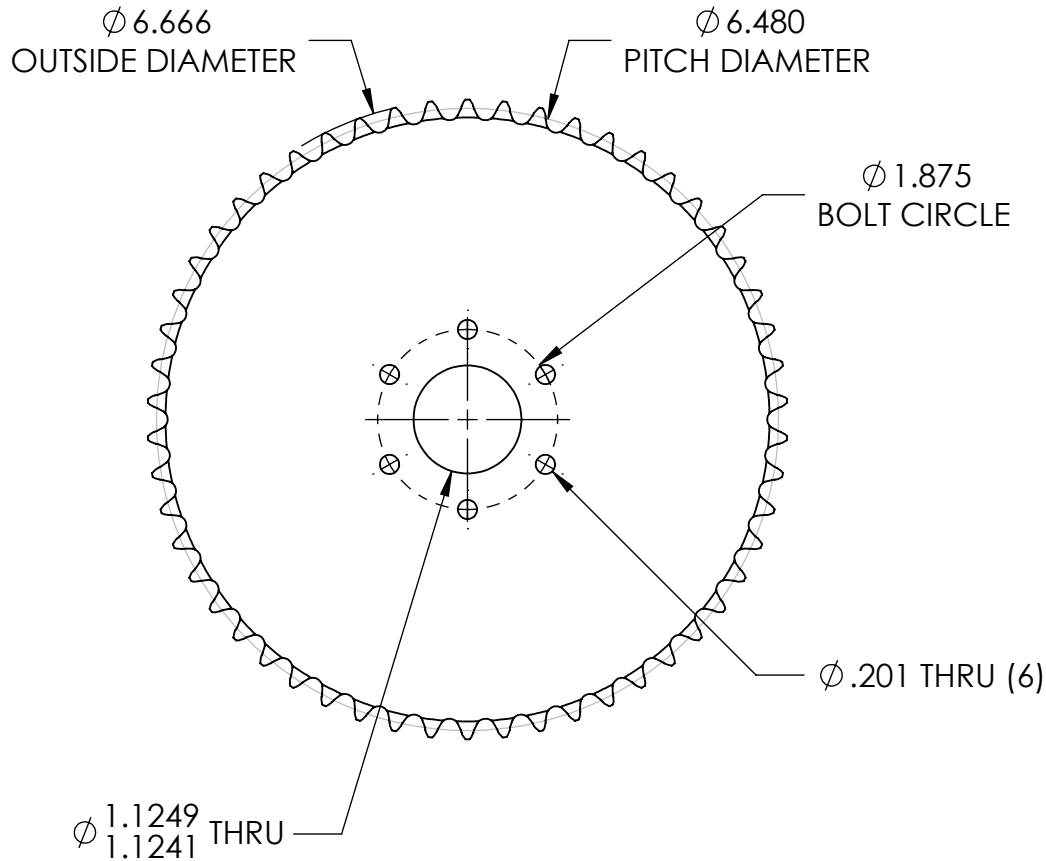



REVISION HISTORY			
REV.	DESCRIPTION	DATE	DRAWN BY
1	ORIGINAL PRINT	10/3/2008	A. BAKER
2	CHAMFER ADDED, UPDATED TO AMDS-1	7/16/2018	A. MILLS



DETAIL A  
SCALE 4 : 1

\*\*\* SEE CAD FOR ADDITIONAL TOOLPATH INFO\*\*\*

UNLESS OTHERWISE SPECIFIED:		COMMENTS:				
<b>DIMENSIONS ARE IN INCHES</b>		DUAL DIMENSIONS ARE IN MILLIMETERS.				
TOLERANCES:		BREAK ALL SHARP EDGES		TITLE:		
FRACTIONAL	$\pm 1/16$			54T 35 CHAIN BEARING		
ANGULAR: MACH	$\pm 1^\circ$			BORE SPROCKET		
ANGULAR: BEND	$\pm 5^\circ$			SIZE	DWG. NO.	REV
ONE PLACE DECIMAL	$\pm 0.1$			<b>A</b>	am-0225	2
TWO PLACE DECIMAL	$\pm 0.01$			SCALE: 1:2 WEIGHT: SHEET 1 OF 1		
THREE PLACE DECIMAL	$\pm 0.005$					
FOUR PLACE DECIMAL	$\pm 0.0005$					
MATERIAL	6061-T6 ALUMINUM	CHECKED	NAME NM	DATE		
FINISH	TUMBLER	ENG APPR.				
		MFG APPR.				
	DO NOT SCALE DRAWING	Q.A.				